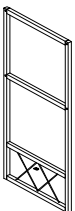
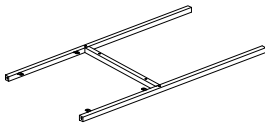
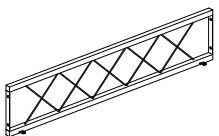
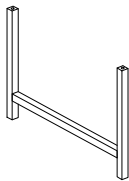
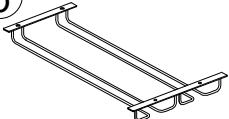
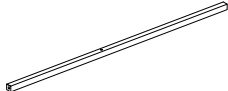
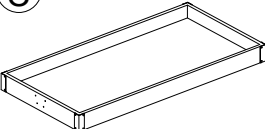
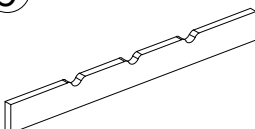
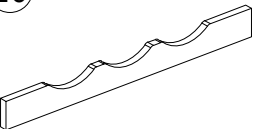
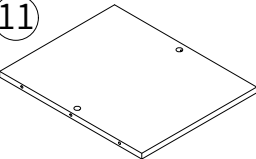
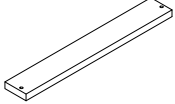
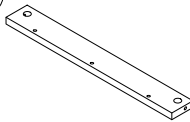
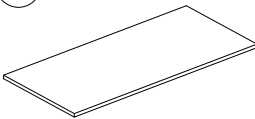
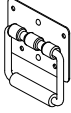




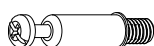

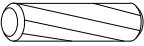



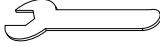
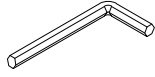
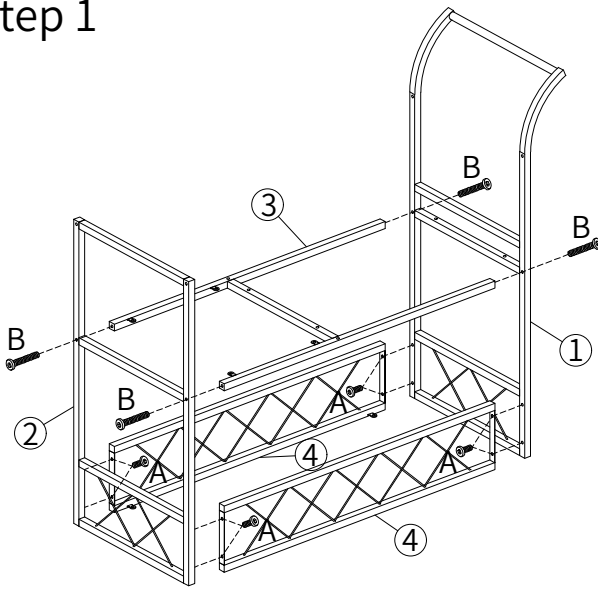
 <b>1</b> X 1PC	 <b>2</b> X 1PC	 <b>3</b> X 1PC	 <b>4</b> X2PCS	 <b>5</b> X 1PC	
 <b>6</b> X 1PC	 <b>7</b> X 2PCS	 <b>8</b> X 1PC	 <b>9</b> X 1PC	 <b>10</b> X 1PC	
 <b>11</b> X 1PC	 <b>12</b> X 2PCS	 <b>13</b> X 2PCS	 <b>14</b> X 1PC	 <b>15</b> X 2PCS	
<b>A</b>  M6*12mm X 20PCS	<b>B</b>  M6*40mm X 10PCS	<b>C</b>  M6*40mm X 2PCS	<b>D</b>  Ø7*40mm X 4PCS	<b>E</b>  X 6PCS	<b>F</b>  X 6PCS
<b>G</b>  Ø8*40mm X 4PCS	<b>H</b>  Ø4*12mm X 8PCS	<b>I</b>  X 2PCS	<b>J</b>  X 2PCS	<b>K</b>  X 1PC	<b>L</b>  M4 X 1PC



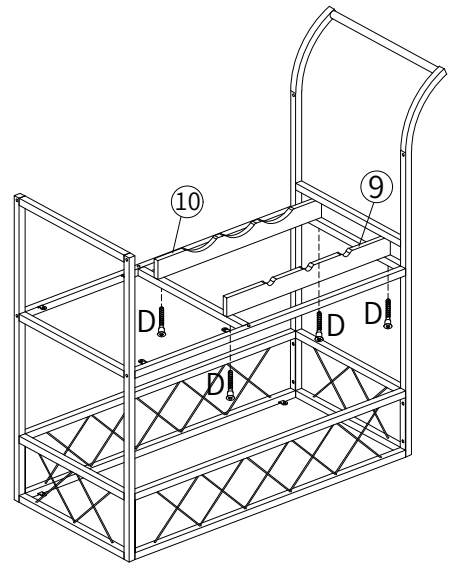
# BAR CART

### Step 1



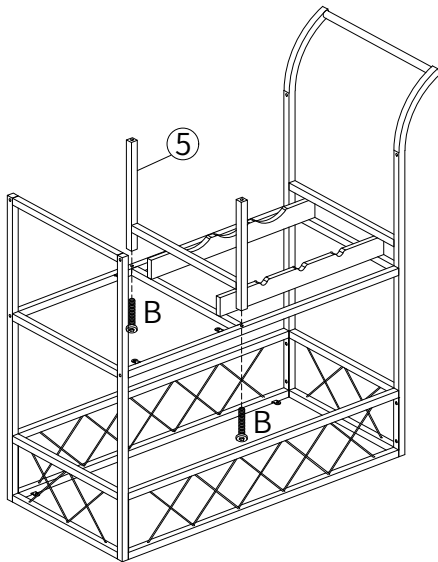
A	x 8pcs	B	x 4pcs
M6 x 12mm		M6 x 40mm	

### Step 2



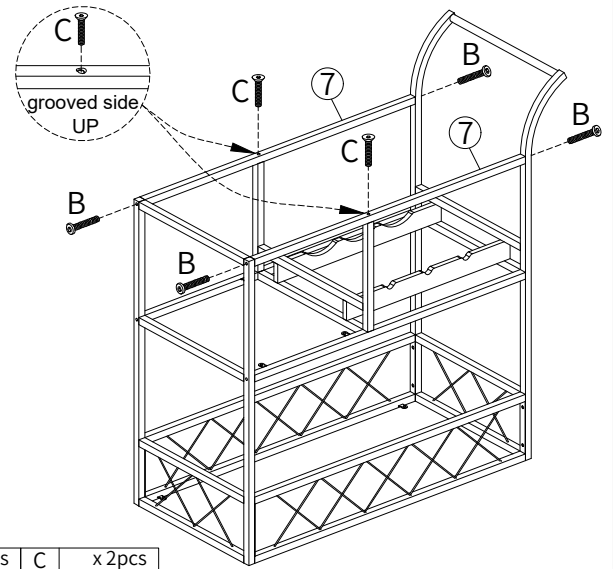
D	x 4pcs
Ø7 x 40mm	

### Step 3



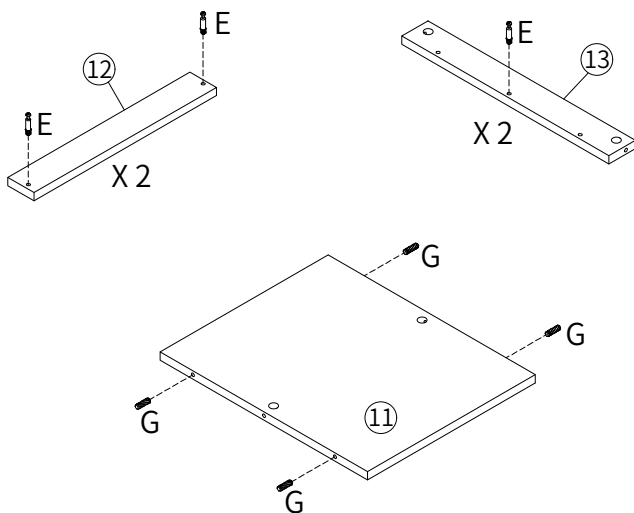
B	x 2pcs
M6 x 40mm	

### Step 4



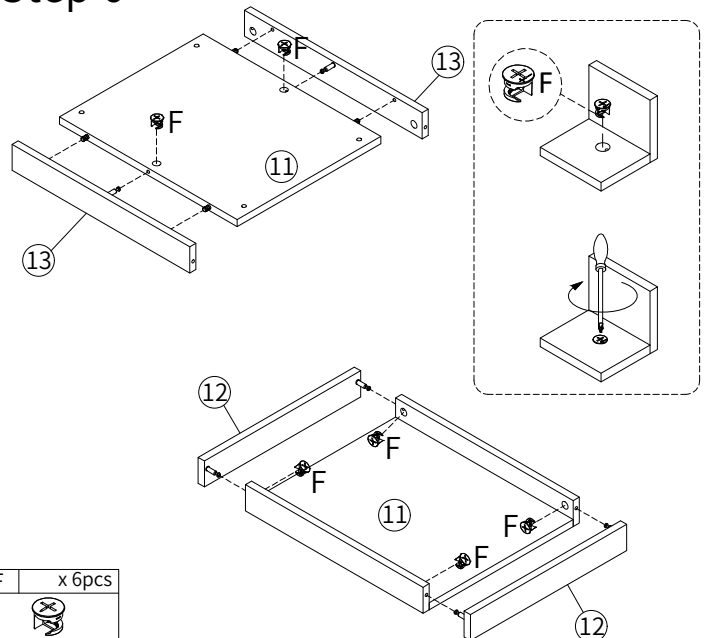
B	x 4pcs	C	x 2pcs
M6 x 40mm		M6 x 40mm	

### Step 5



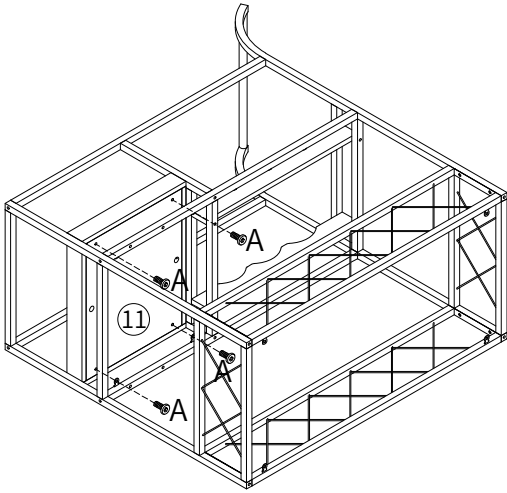
E	x 6pcs	G	x 4pcs
		Ø8 x 40mm	


### Step 6



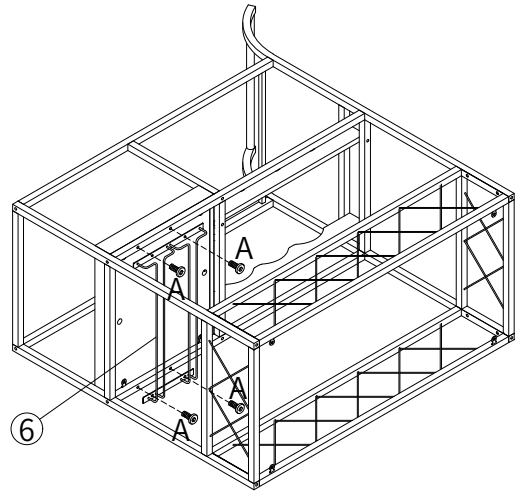
F	x 6pcs


## Step 7



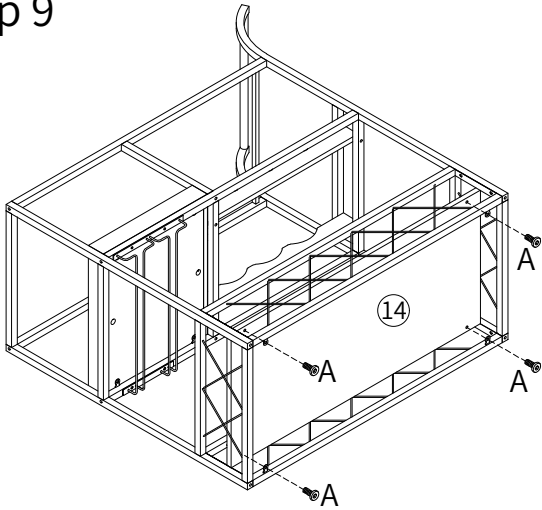
A	x 4pcs
	
M6 x 12mm	


## Step 8



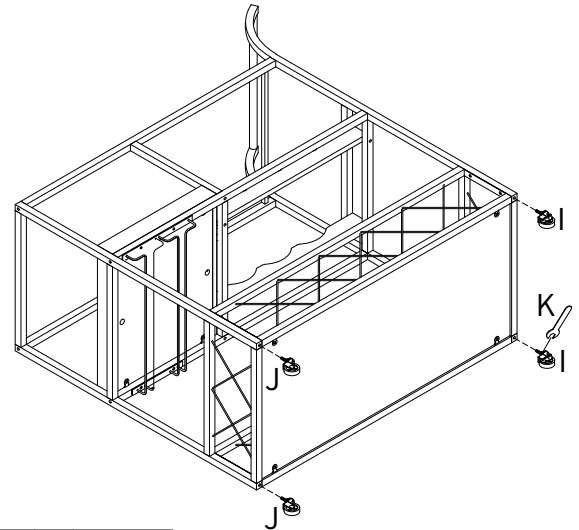
A	x 4pcs
	
M6 x 12mm	



## Step 9



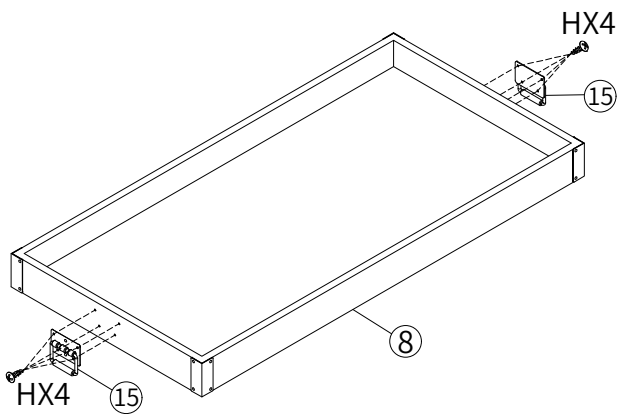
A	x 4pcs
	
M6 x 12mm	


## Step 10



I	x 2pcs	J	x 2pcs
			

## Step 11



H	x 8pcs
	
Ø4 x 12mm	

## Step 12

