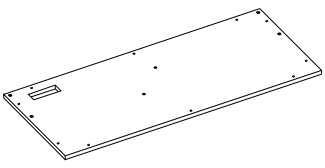
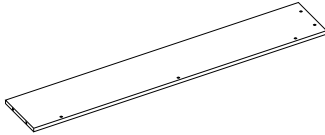
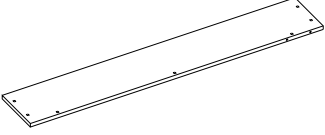
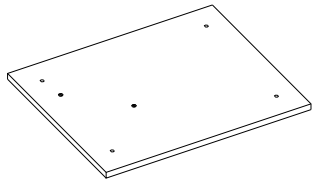
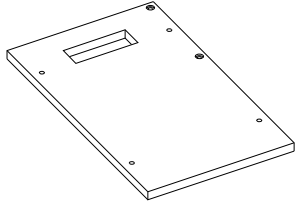
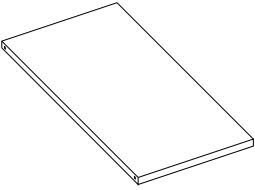
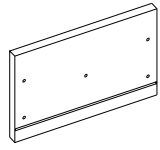
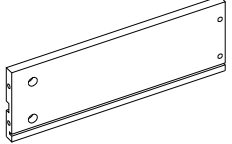
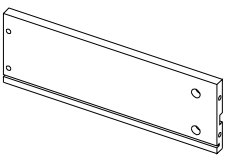
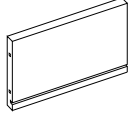
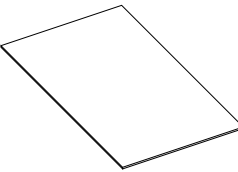
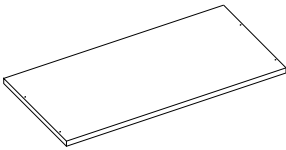
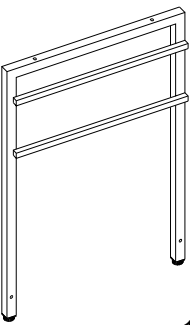
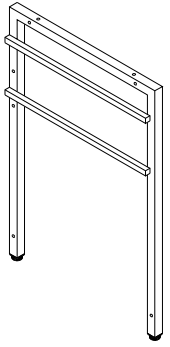
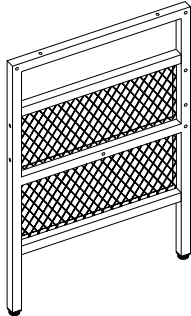
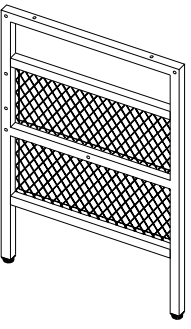
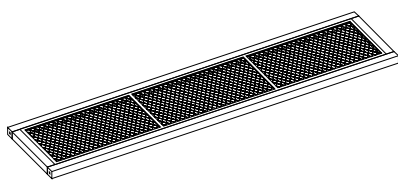
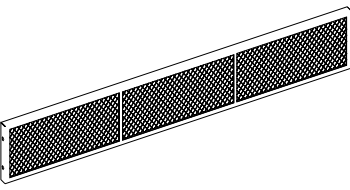
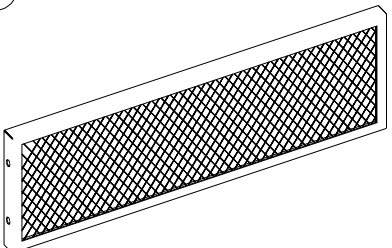
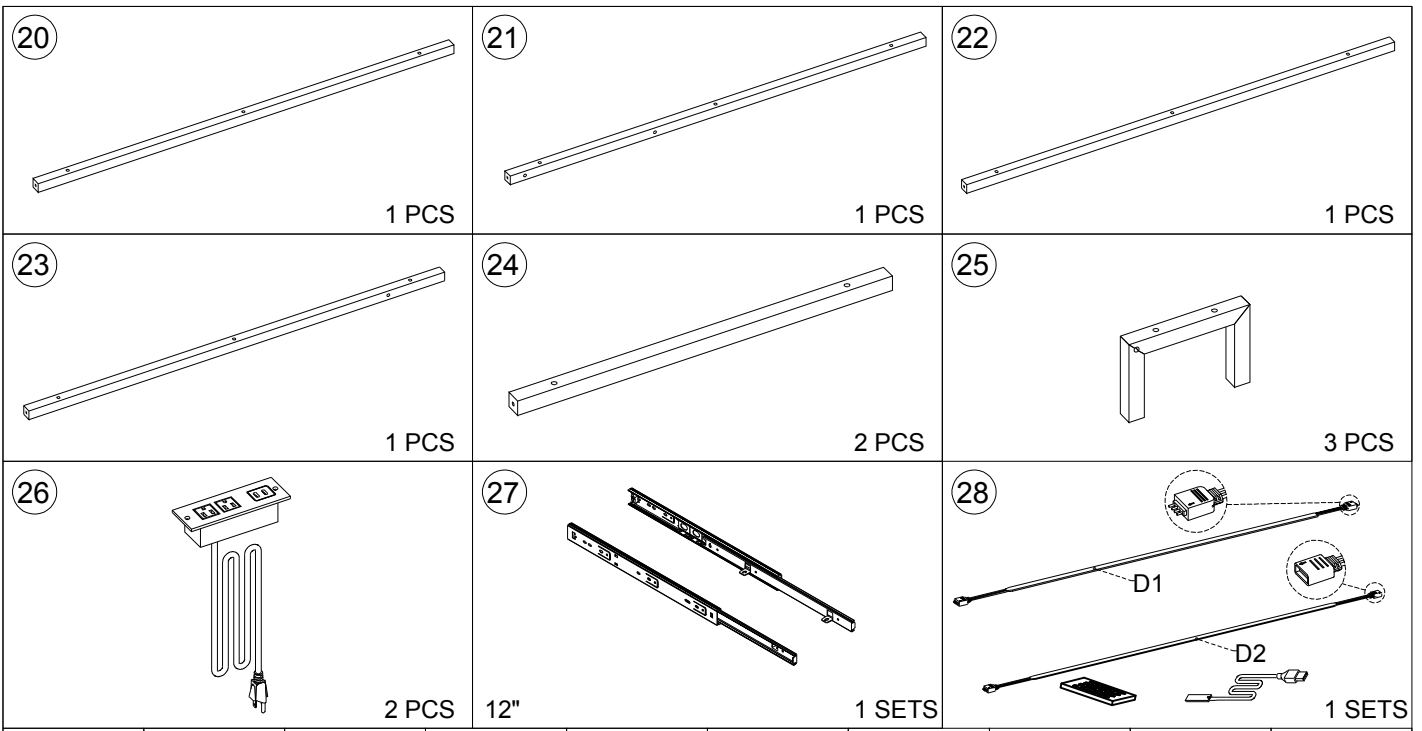




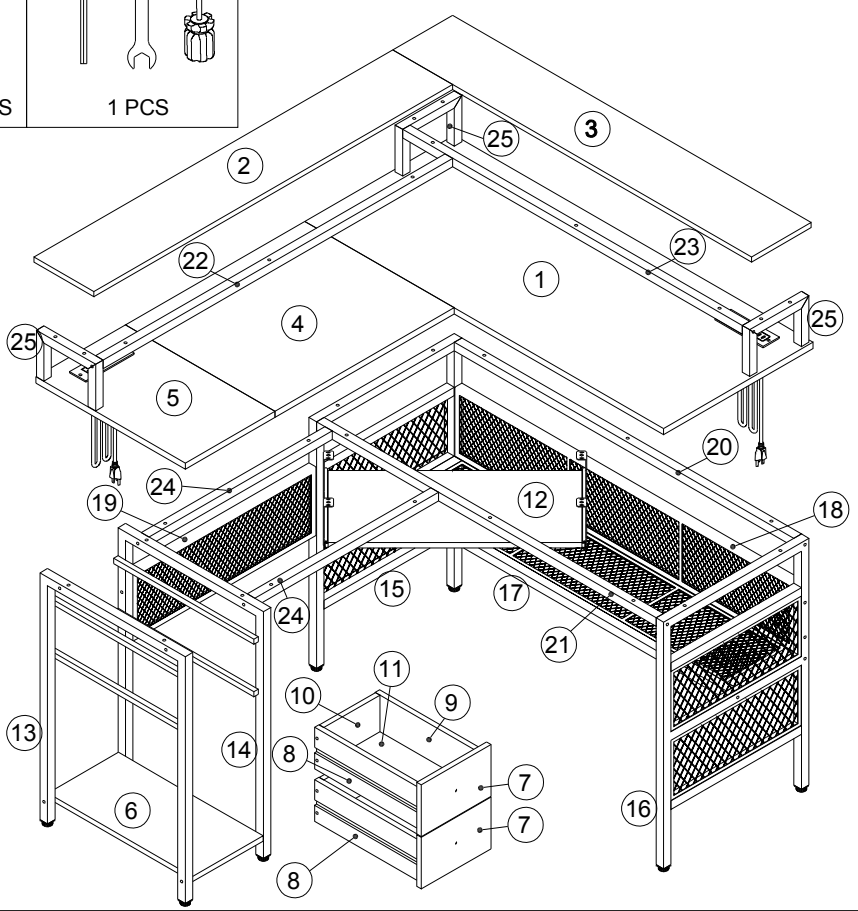
COMPUTER DESK

<p>①</p>  <p>1 PCS</p>	<p>②</p>  <p>1 PCS</p>	<p>③</p>  <p>1 PCS</p>	<p>④</p>  <p>1 PCS</p>
<p>⑤</p>  <p>1 PCS</p>	<p>⑥</p>  <p>1 PCS</p>	<p>⑦</p>  <p>2 PCS</p>	<p>⑧</p>  <p>2 PCS</p>
<p>⑨</p>  <p>2 PCS</p>	<p>⑩</p>  <p>2 PCS</p>	<p>⑪</p>  <p>2 PCS</p>	<p>⑫</p>  <p>1 PCS</p>
<p>⑬</p>  <p>1 PCS</p>	<p>⑭</p>  <p>1 PCS</p>	<p>⑮</p>  <p>1 PCS</p>	<p>⑯</p>  <p>1 PCS</p>
<p>⑰</p>  <p>1 PCS</p>	<p>⑱</p>  <p>1 PCS</p>	<p>⑲</p>  <p>1 PCS</p>	

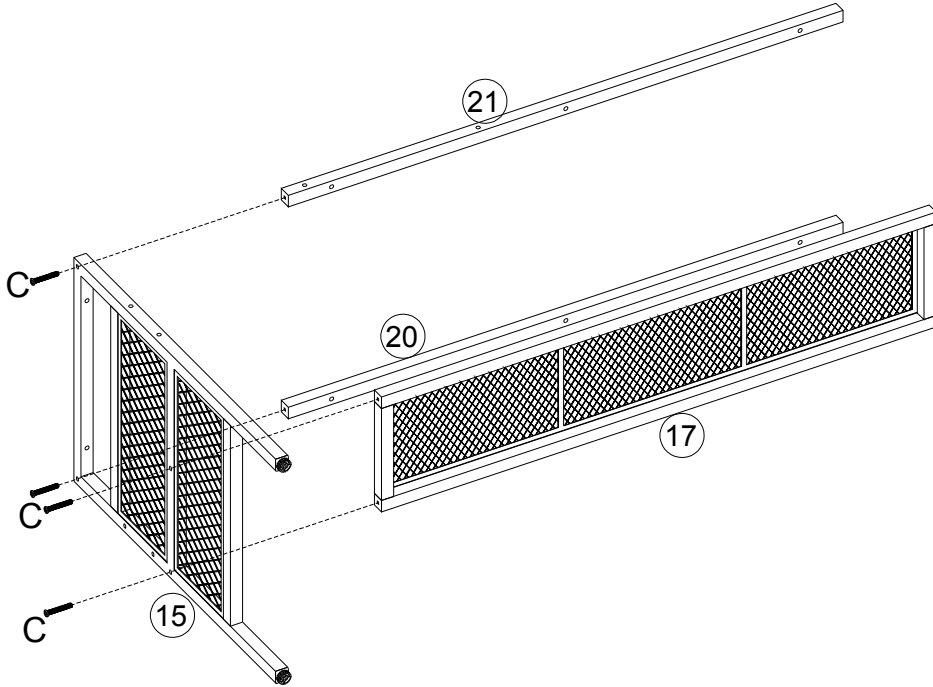


A M6*12	B M6*35	C M6*45	D M6	E M7*50	F M5*42	G Ø15*12	H M3.5*14	J M4*18	K M4*8
4 PCS	44 PCS	16 PCS	8 PCS	12 PCS	8 PCS	8 PCS	14 PCS	2 PCS	4 PCS

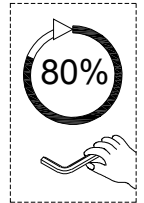
L	M	N	O Ø8*40	4#
2 PCS	4 PCS	6 PCS	2 PCS	1 PCS



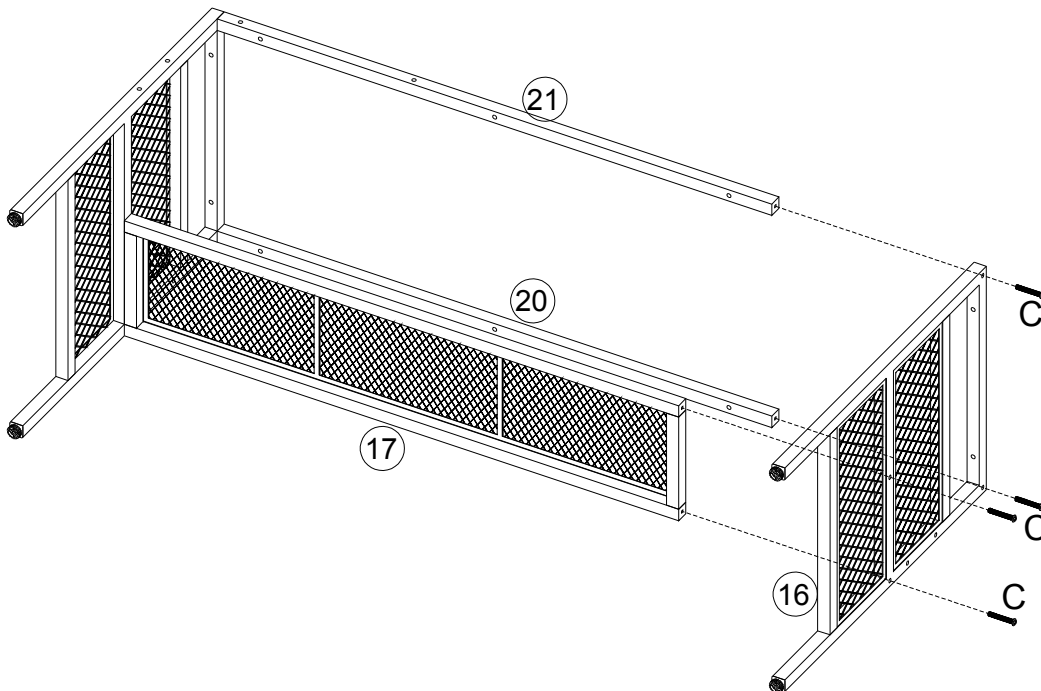
1



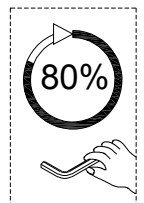
C M6*45
4 PCS





2

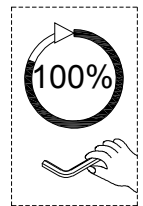
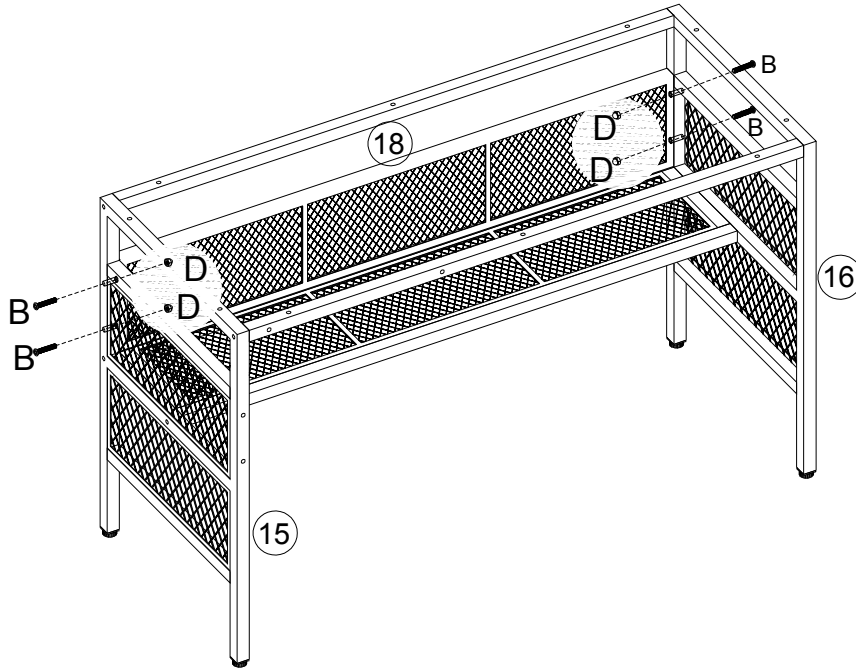


C M6*45
4 PCS




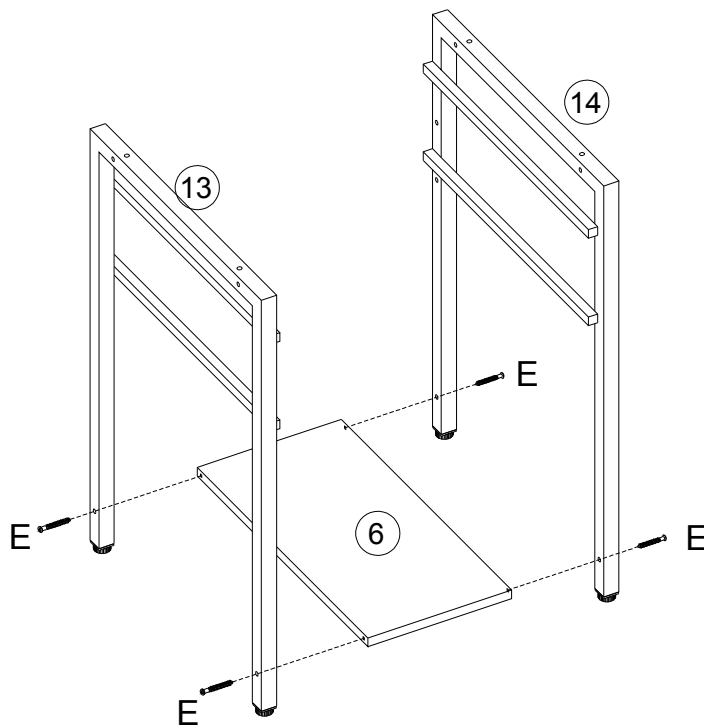
3

B M6*35	D M6
	
4 PCS	4 PCS

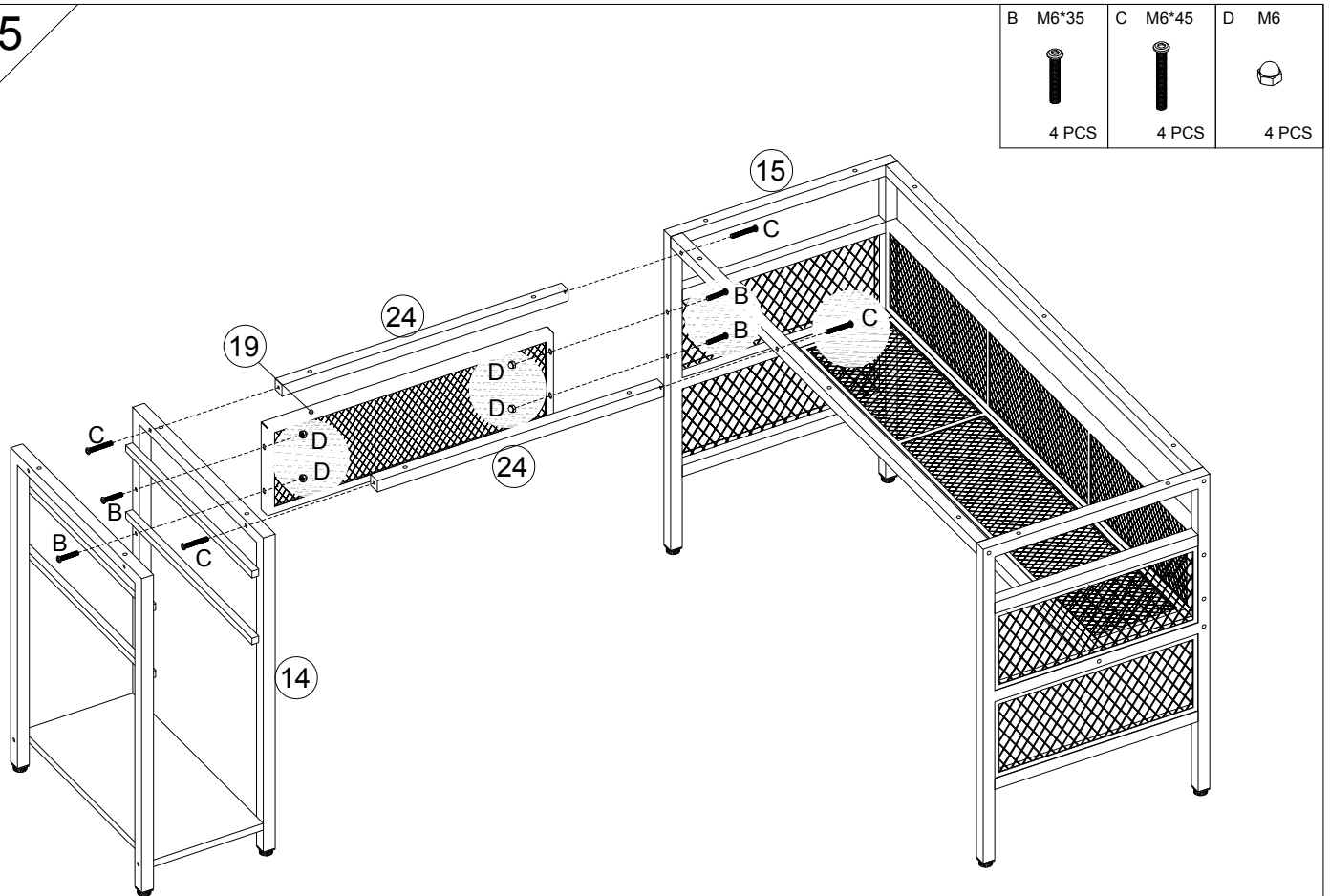


4

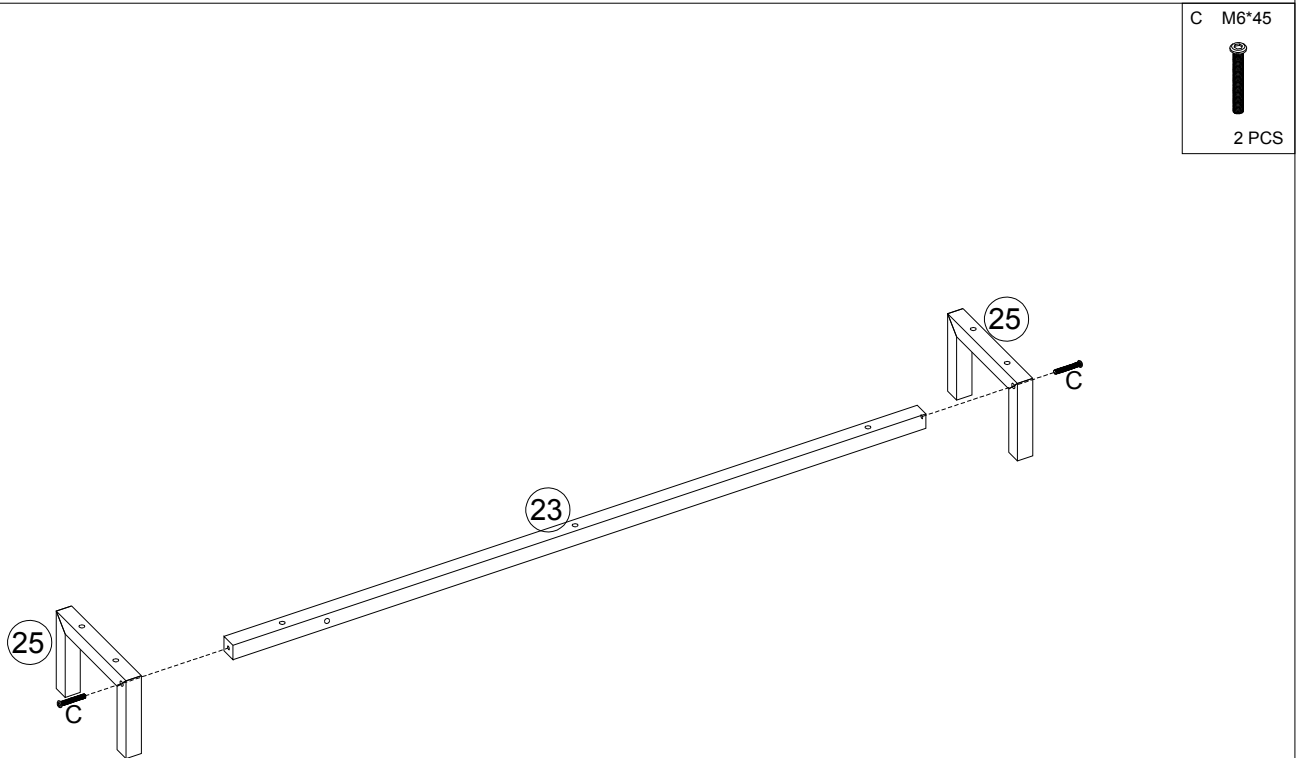
E M7*50

4 PCS



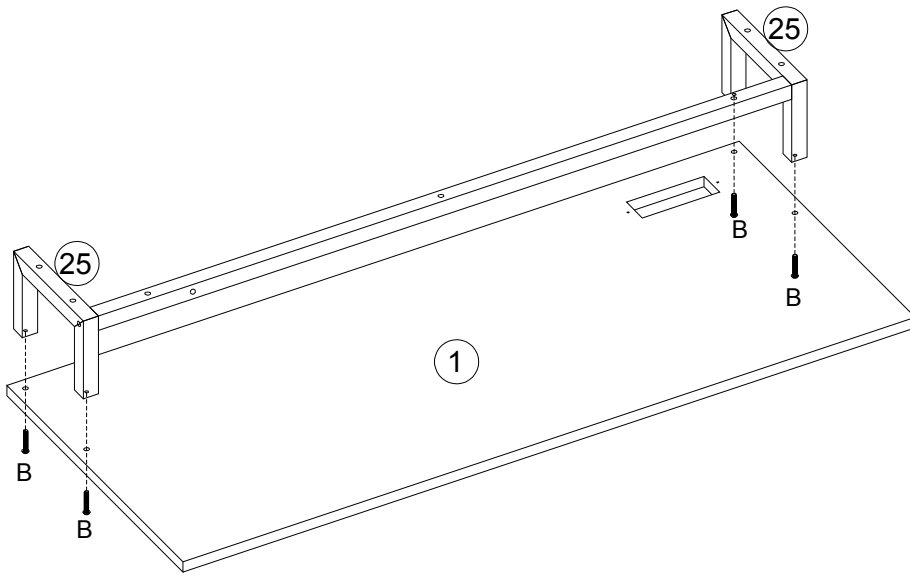
5




6

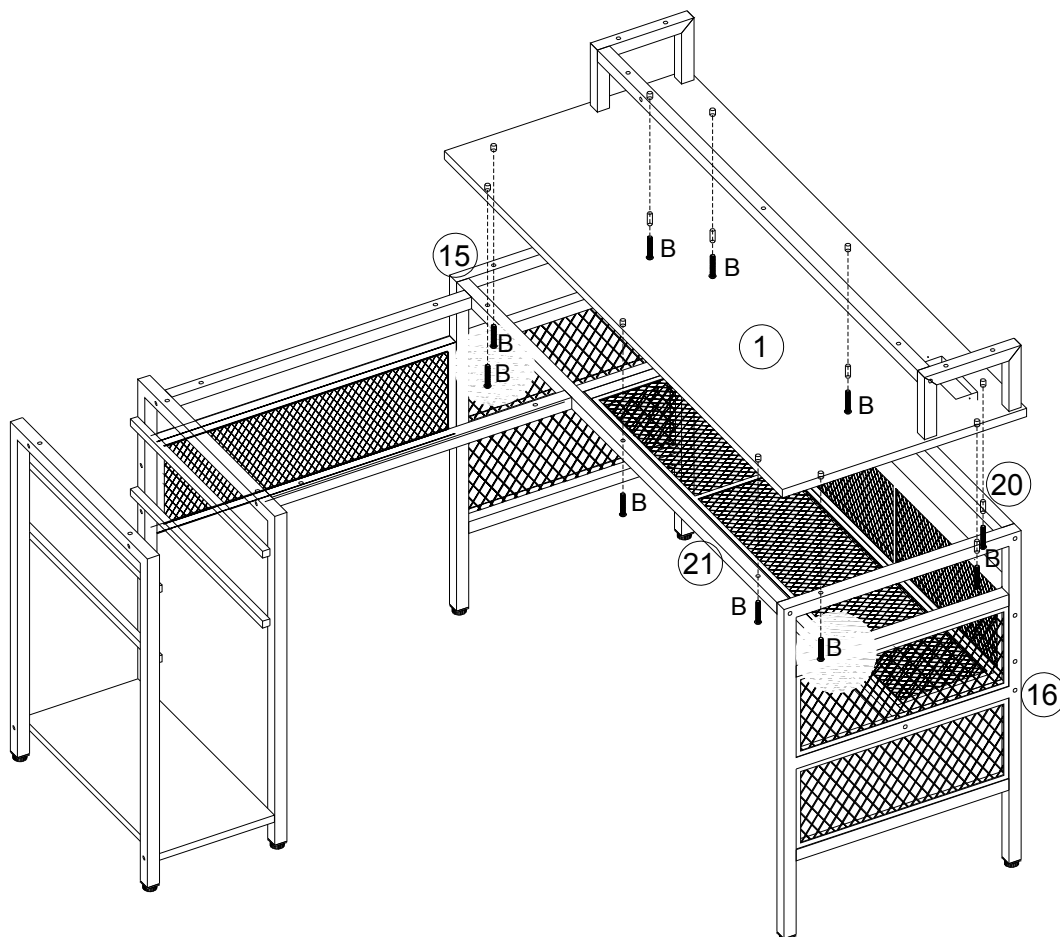



7



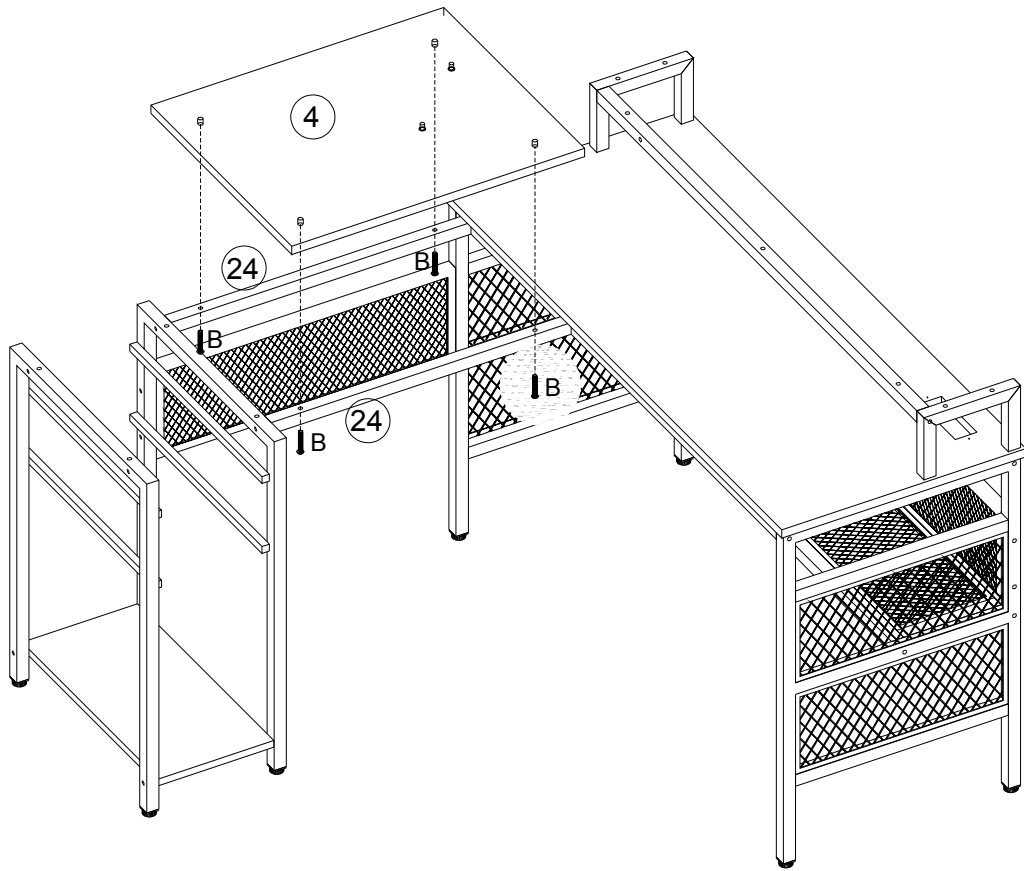
B M6*35

4 PCS

8



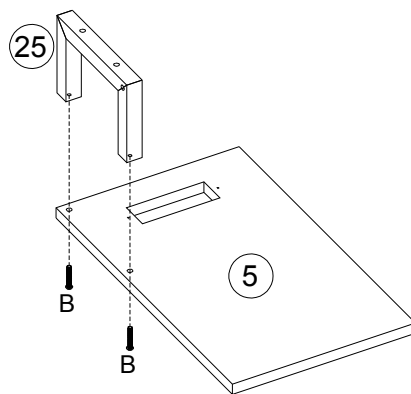
B M6*35

10 PCS

9



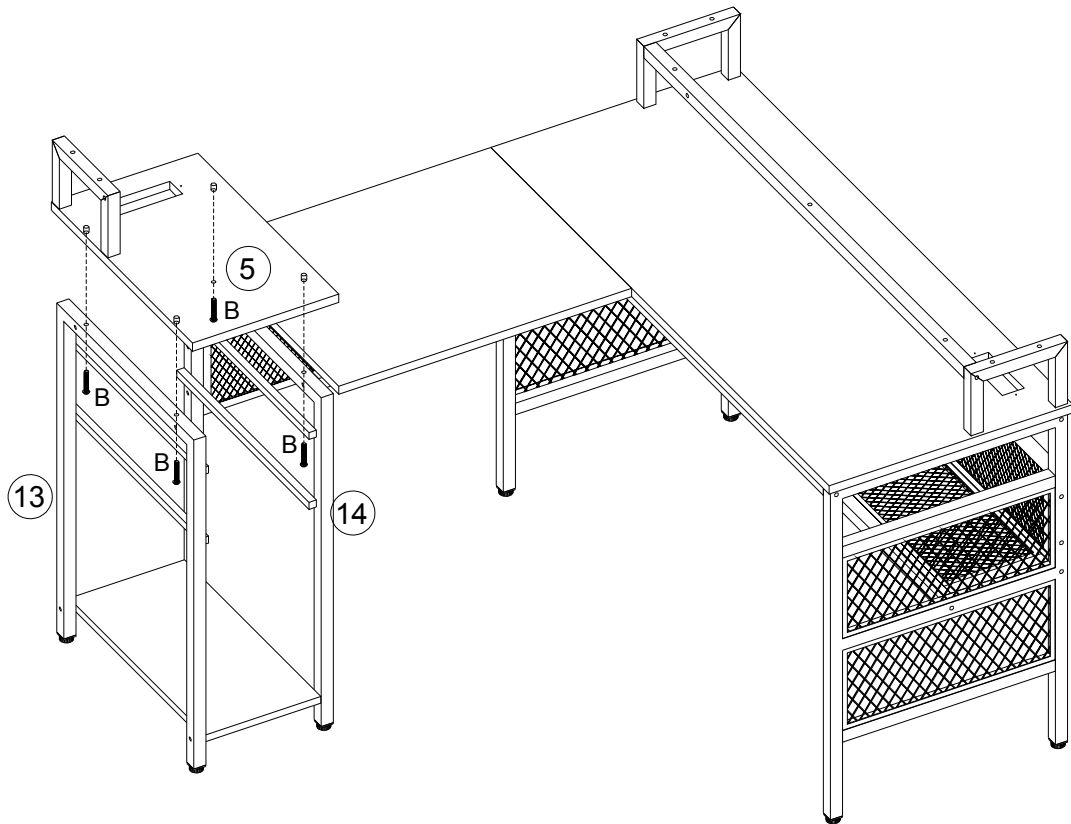
B M6*35
4 PCS


10



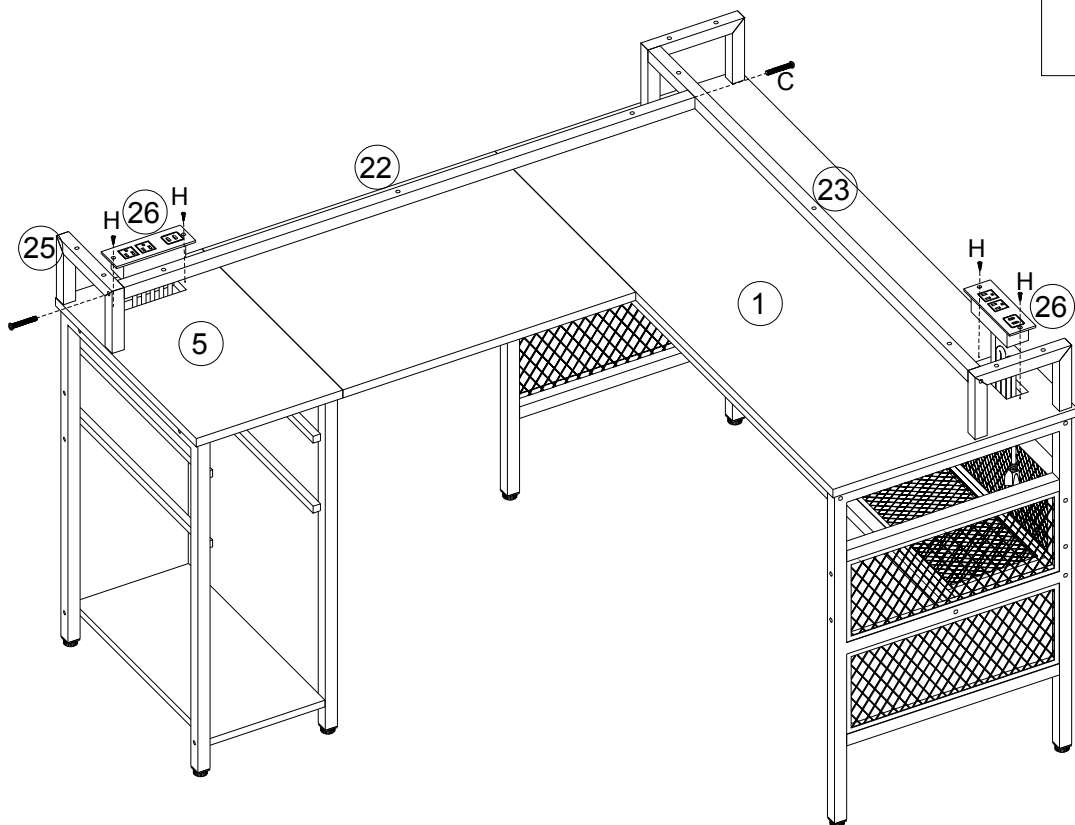
B M6*35
2 PCS



11



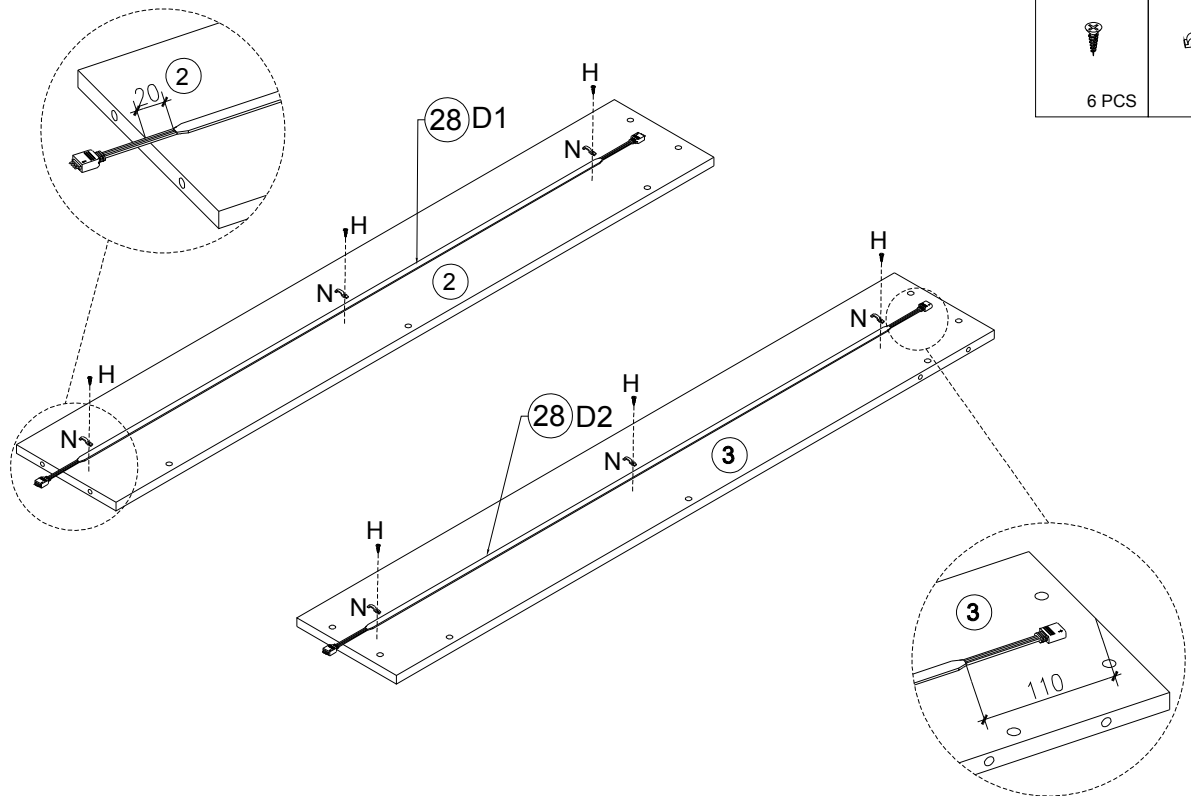
B M6*35

 4 PCS



12



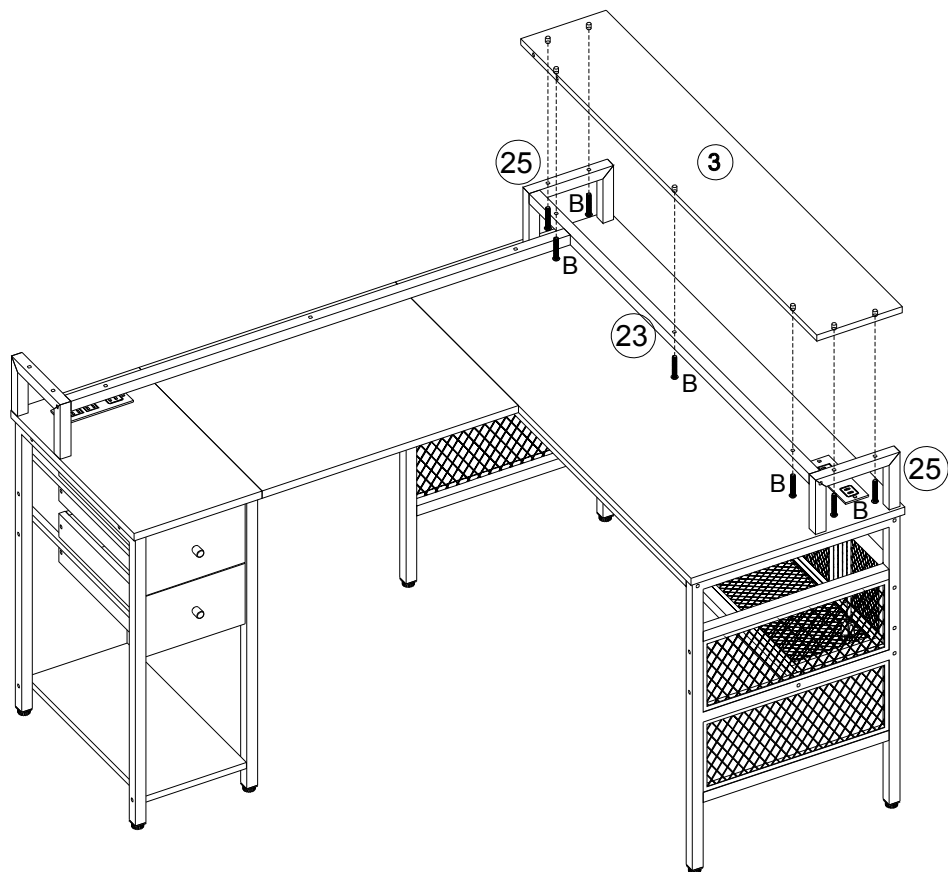
H M3.5*14	C M6*45
	
4 PCS	2 PCS


13

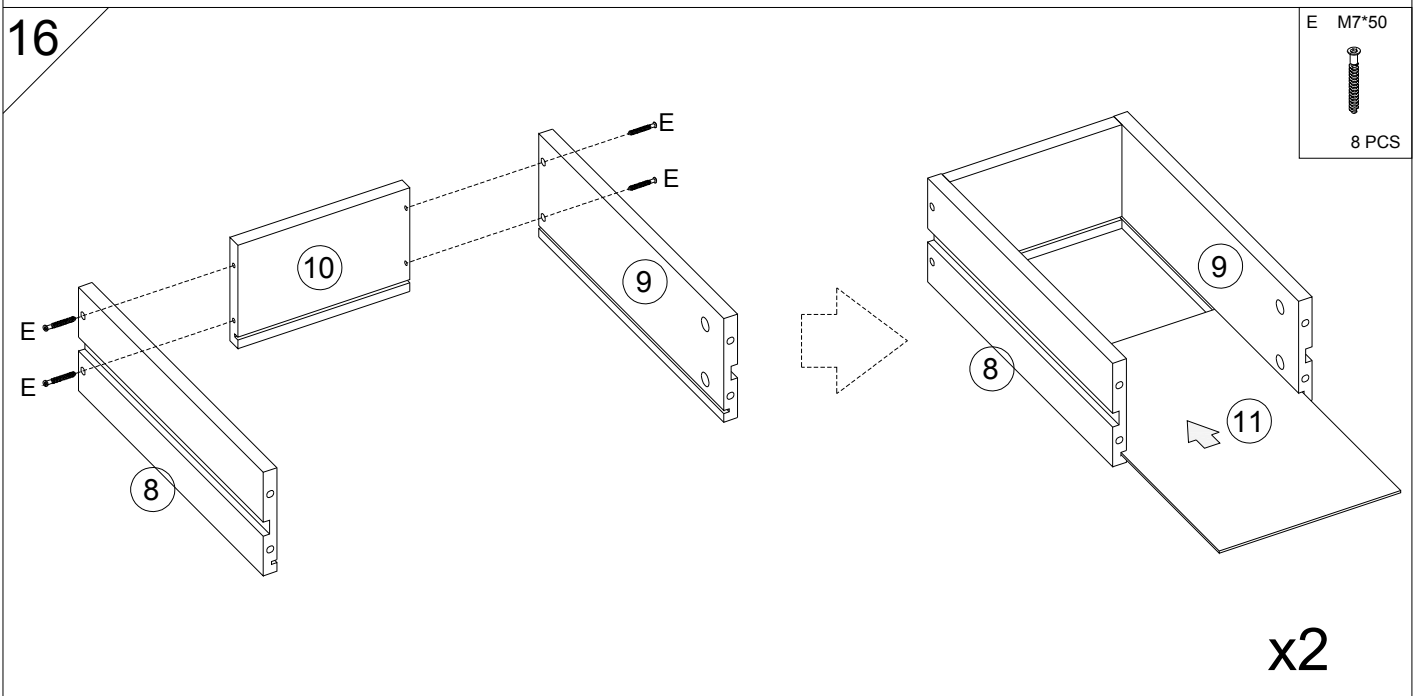
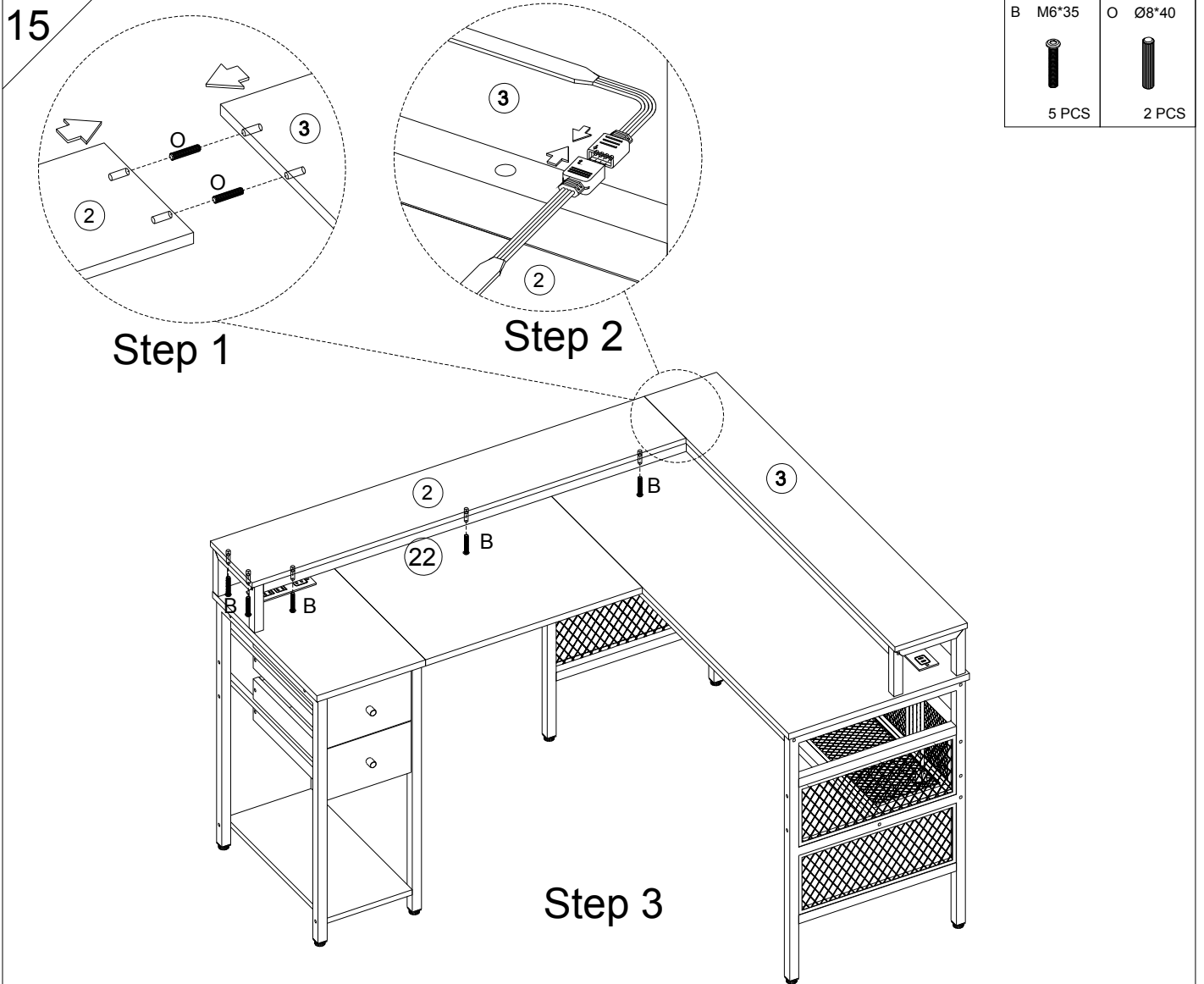


H M3.5*14	N
	
6 PCS	6 PCS





14

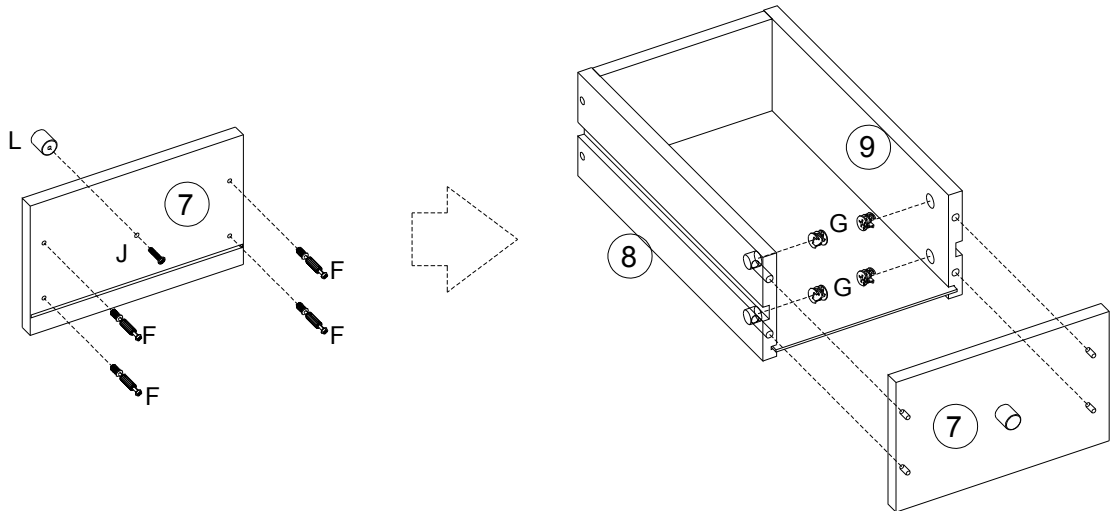


B M6*35

7 PCS



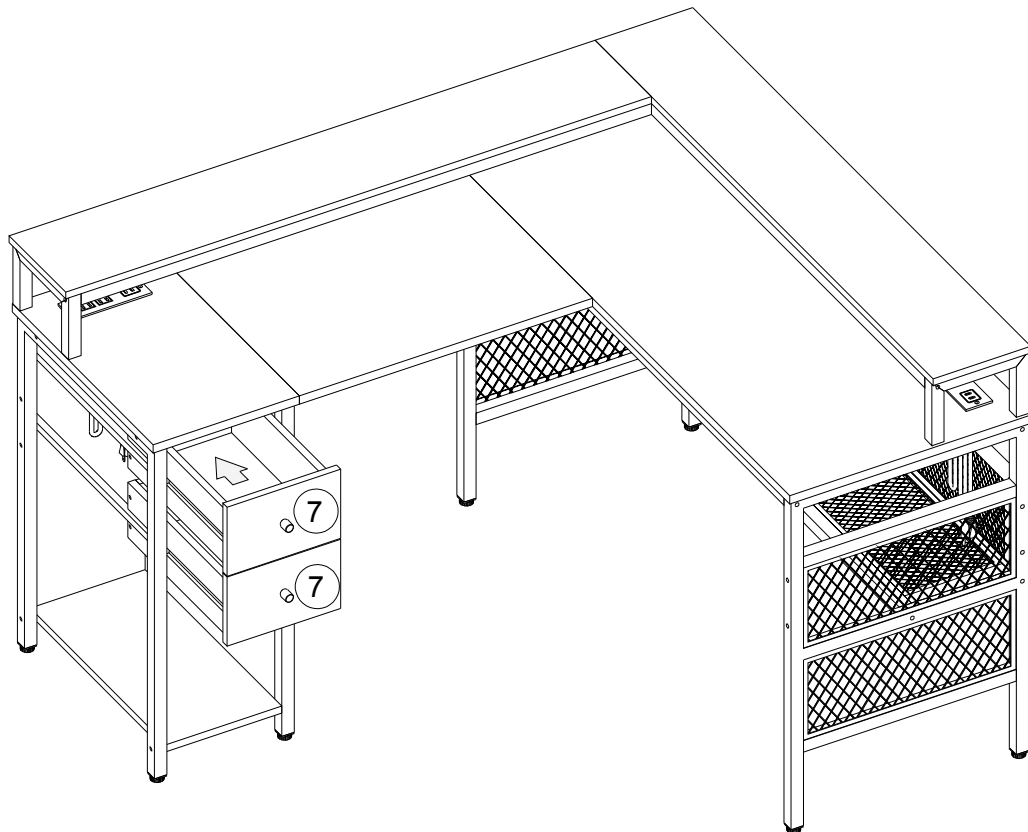
17

F M5*42	G Ø15*12	J M4*18	L
			
8 PCS	8 PCS	2 PCS	2 PCS





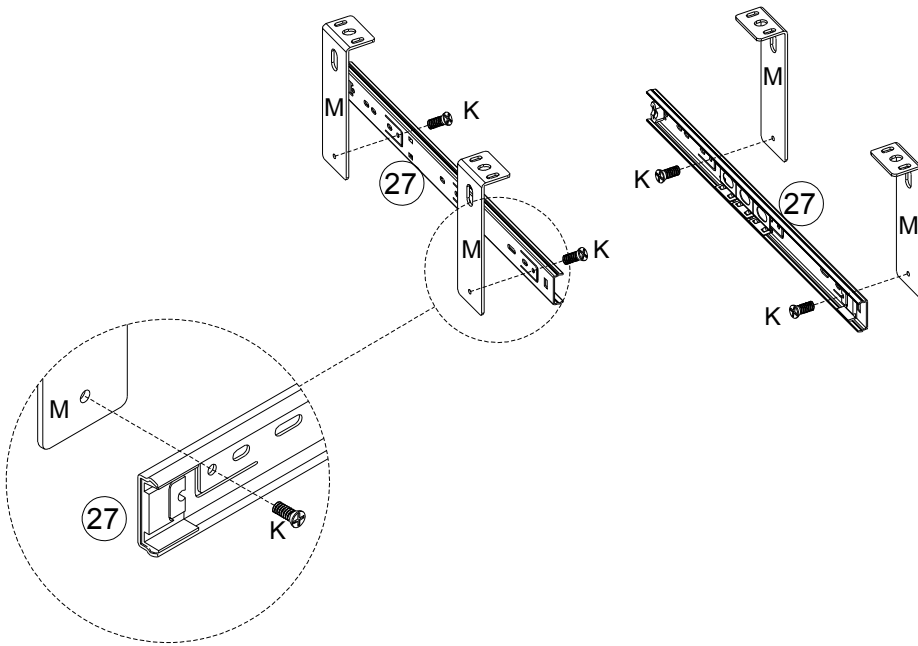
x2

18




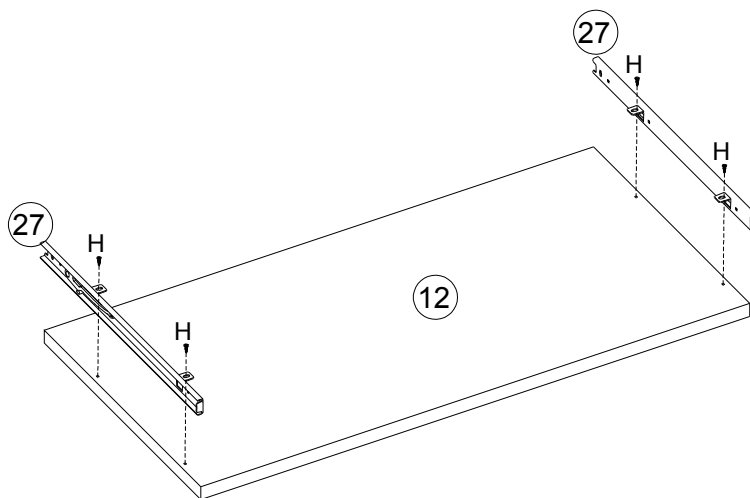
19

K M4*8	M
	
4 PCS	4 PCS



20

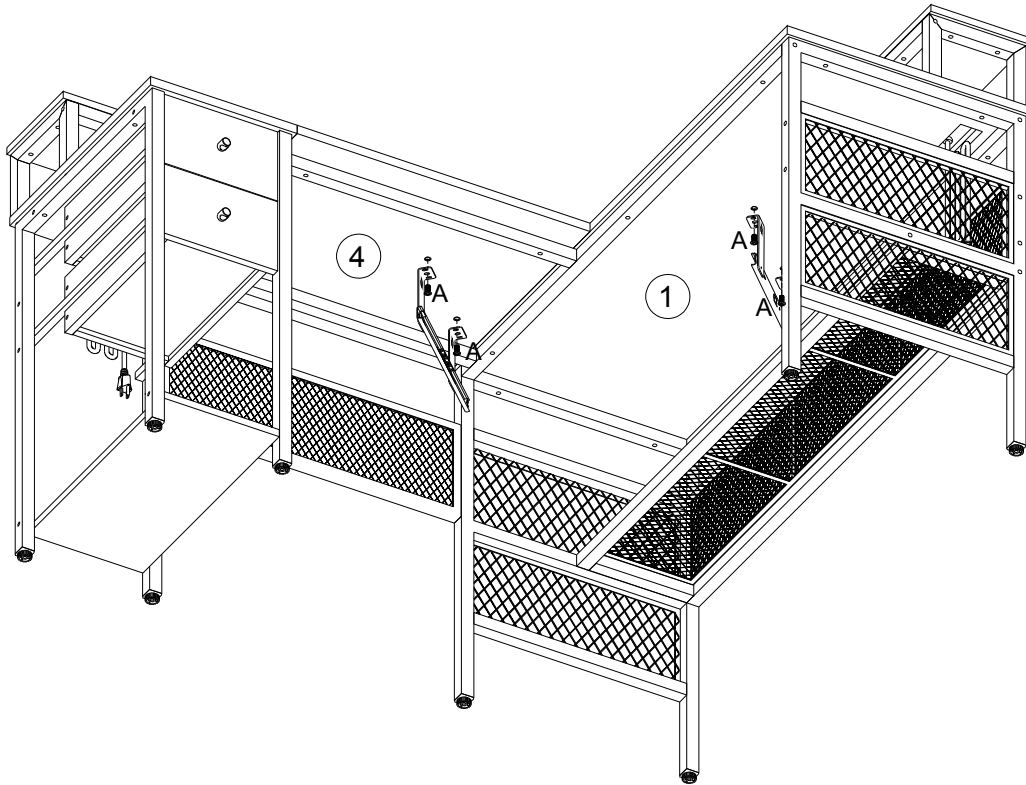
H M3.5*14

4 PCS



21

A M6*12

4 PCS



22

