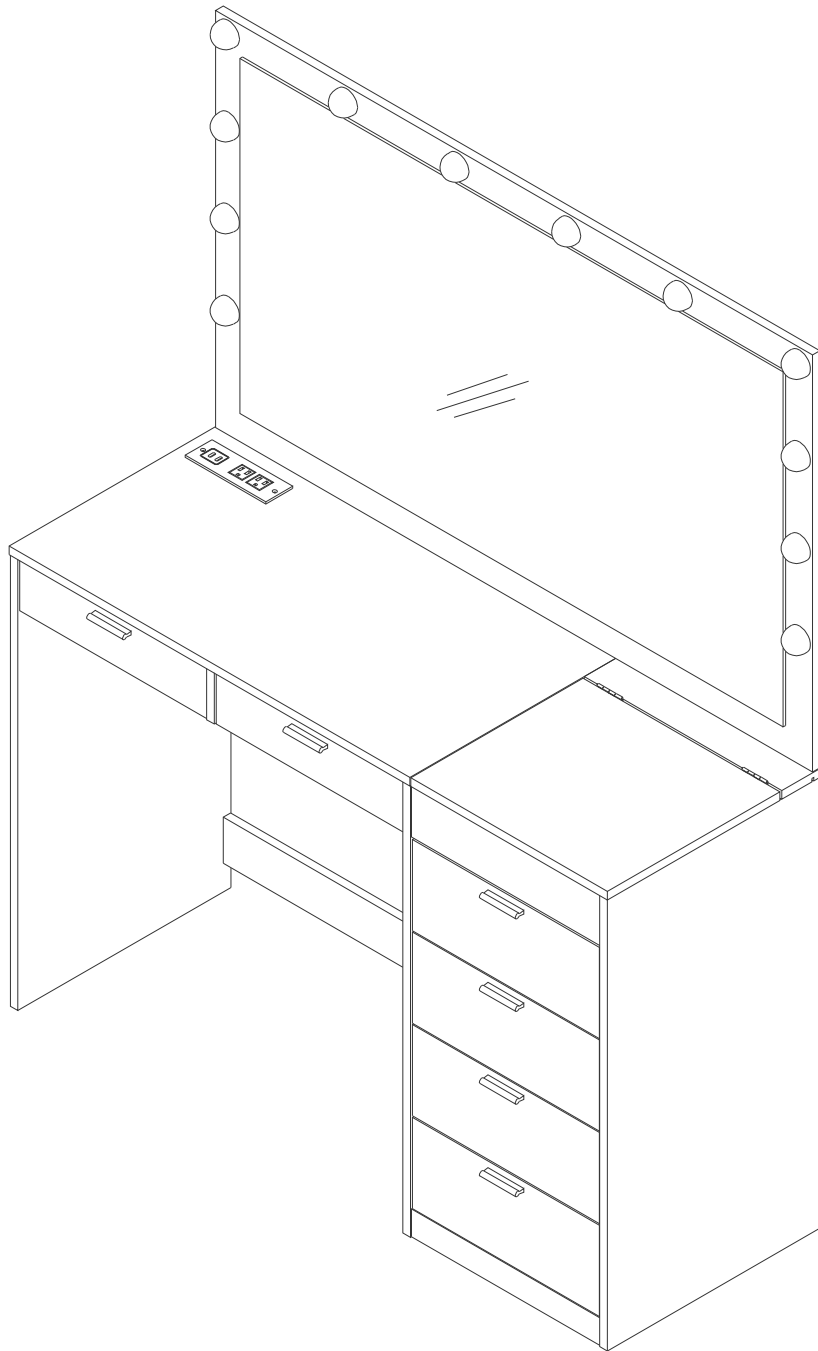
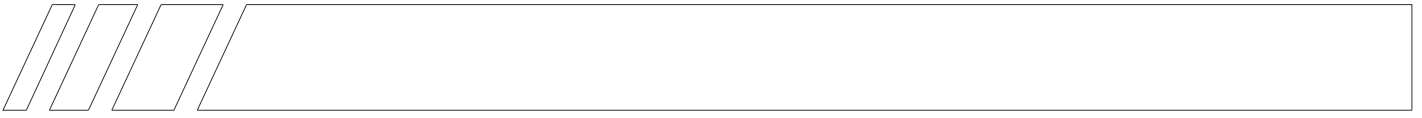


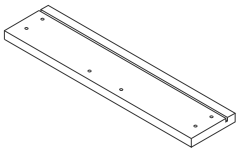
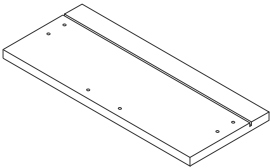
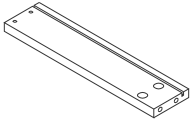
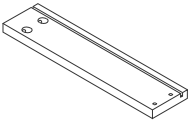
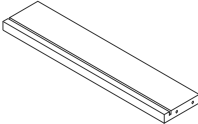
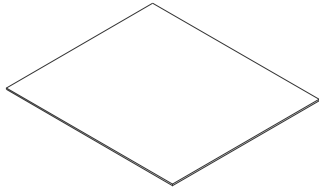
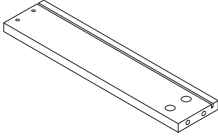
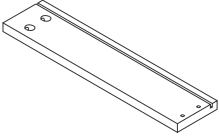
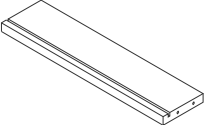
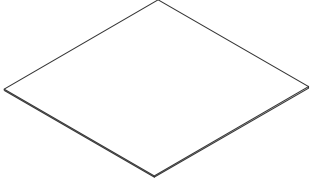
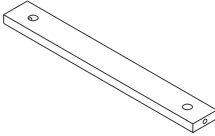
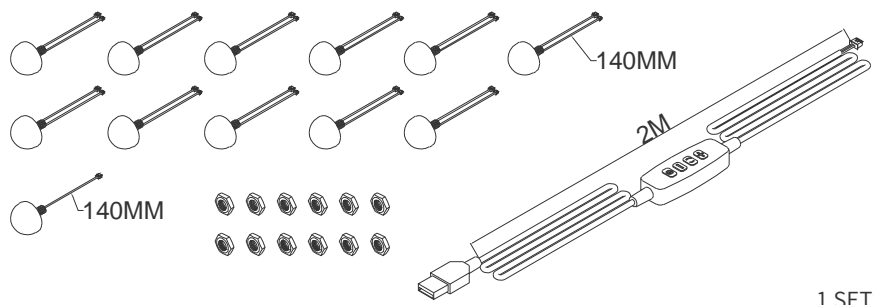
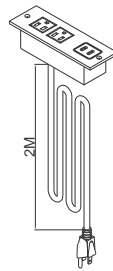
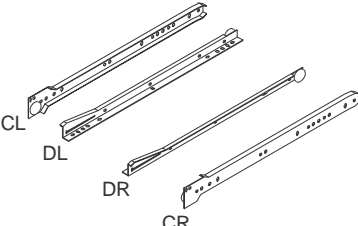
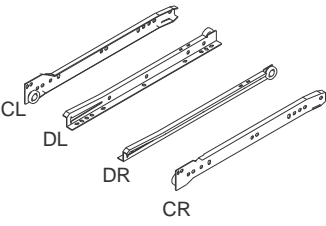
ZS-L003


















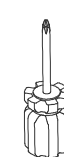


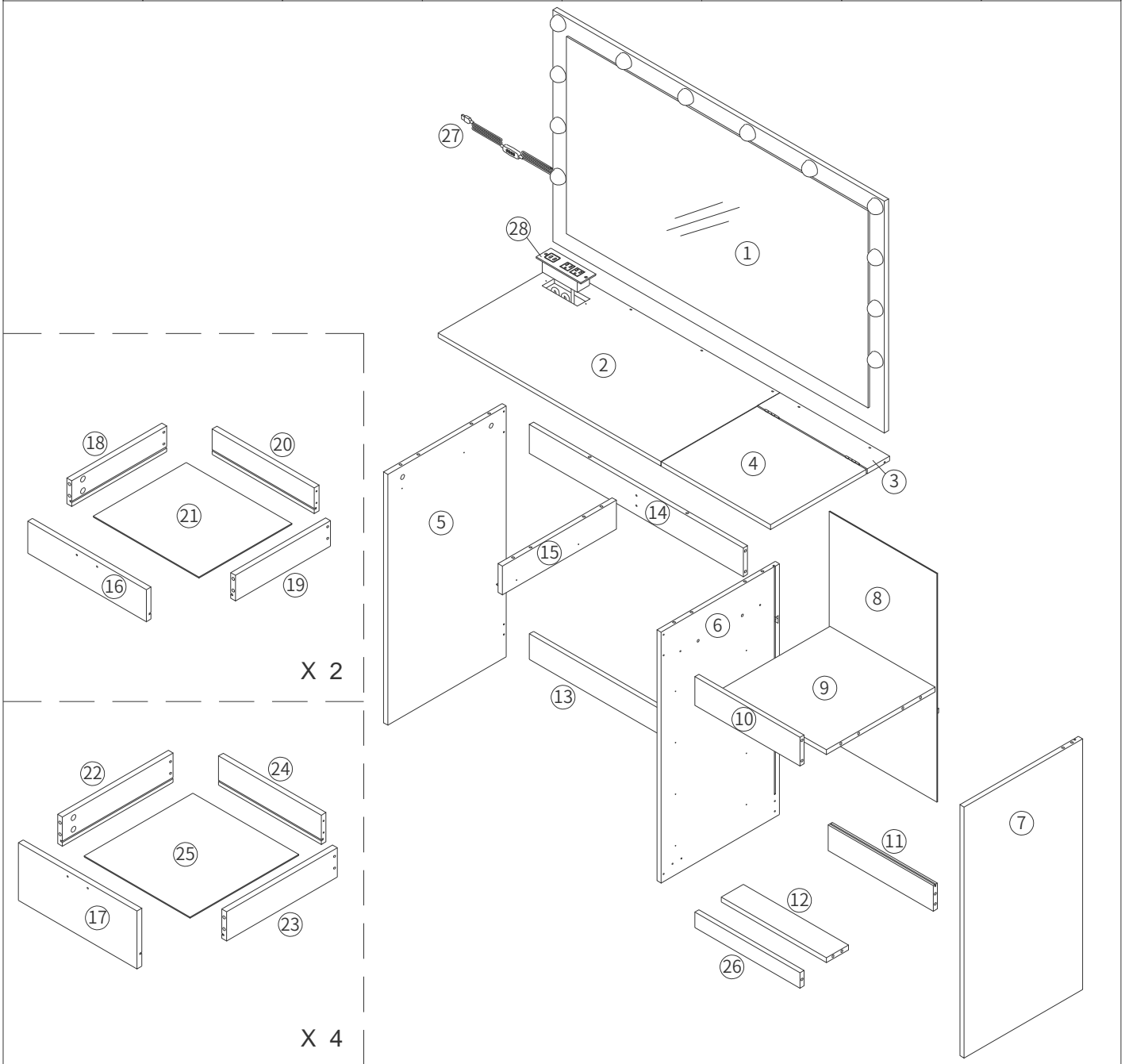
<p>①</p>	<p>②</p>	<p>③</p>
<p>④</p>	<p>⑤</p>	<p>⑥</p>
<p>⑦</p>	<p>⑧</p>	<p>⑨</p>
<p>⑩</p>	<p>⑪</p>	<p>⑫</p>
<p>⑬</p>	<p>⑭</p>	<p>⑮</p>



<p>16</p>  <p>2 PCS</p>	<p>17</p>  <p>4 PCS</p>	<p>18</p>  <p>2 PCS</p>	
<p>19</p>  <p>2 PCS</p>	<p>20</p>  <p>2 PCS</p>	<p>21</p>  <p>2 PCS</p>	
<p>22</p>  <p>4 PCS</p>	<p>23</p>  <p>4 PCS</p>	<p>24</p>  <p>4 PCS</p>	<p>25</p>  <p>4 PCS</p>
<p>26</p>  <p>2 PCS</p>	<p>27</p>  <p>140MM</p> <p>140MM</p> <p>2M</p> <p>1 SETS</p>		
<p>28</p>  <p>2M</p>	<p>29</p>  <p>CL</p> <p>DL</p> <p>DR</p> <p>CR</p> <p>14"</p> <p>4 SETS</p>	<p>30</p>  <p>CL</p> <p>DL</p> <p>DR</p> <p>CR</p> <p>12"</p> <p>2 SETS</p>	



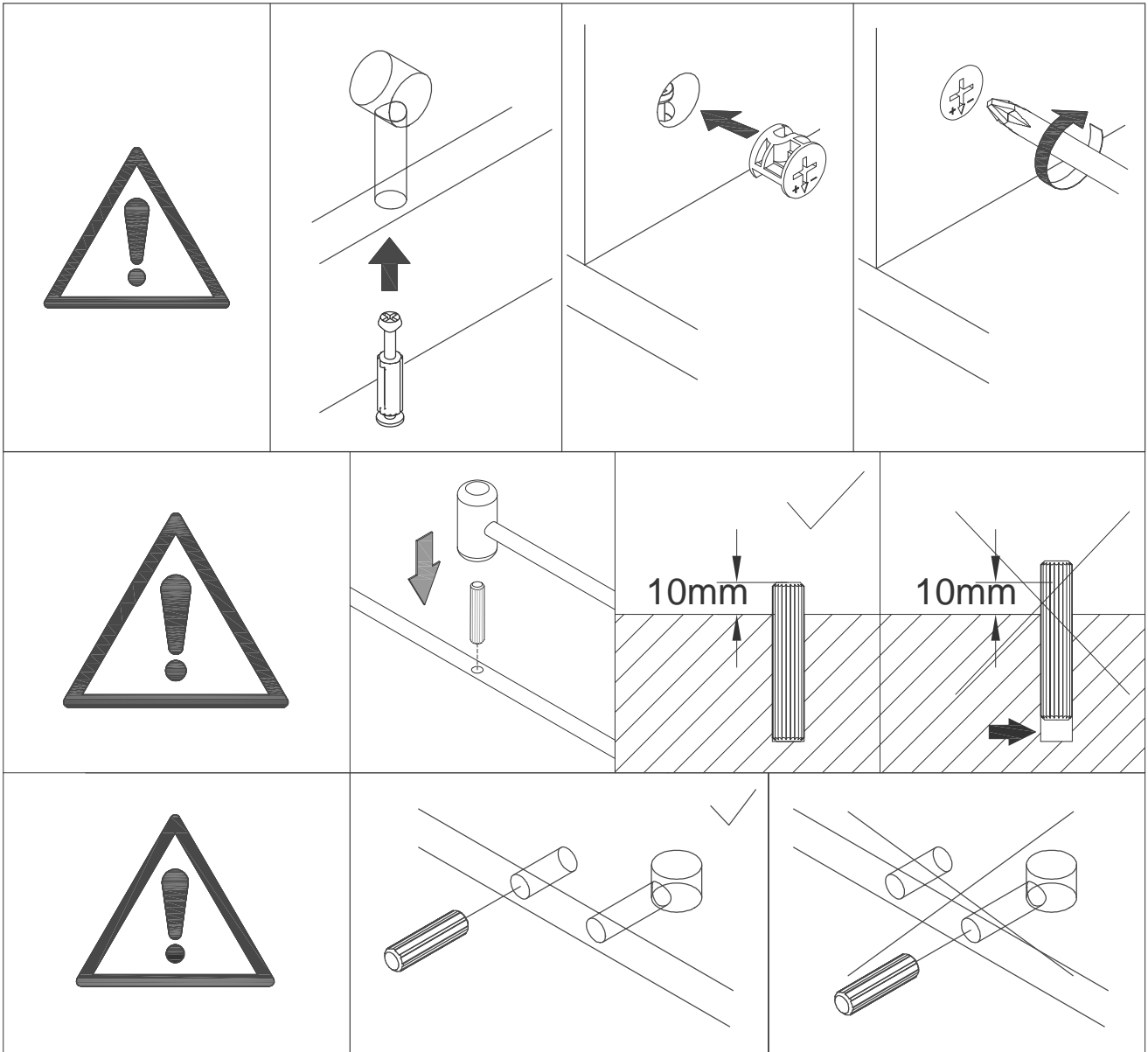
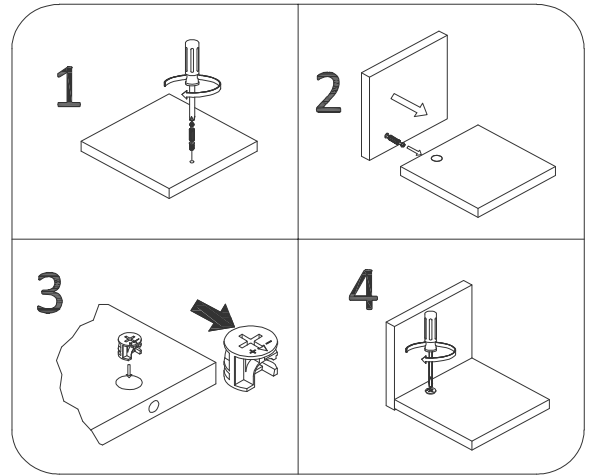
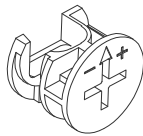
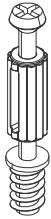
<b>A</b> M5X42  62 PCS	<b>B</b> Ø15X12  62 PCS	<b>C</b> Ø8X40  10 PCS	<b>D</b> M5X40  32 PCS	<b>E</b> M3.5X14  80 PCS	<b>F</b> M4X18  12 PCS	<b>G</b>  6 PCS	<b>H</b> 2"  2 PCS
<b>I</b> 47X38X2.0  4 PCS	<b>J</b>  2 PCS	<b>K</b>  4 PCS	<b>L</b> M3.5X25  2 PCS	<b>M</b>  2 PCS	<b>N</b>  12 PCS	14#  1 PC	 1 PC



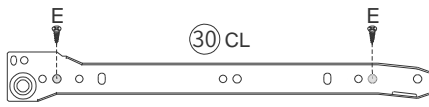


## Cam Lock Fastening System

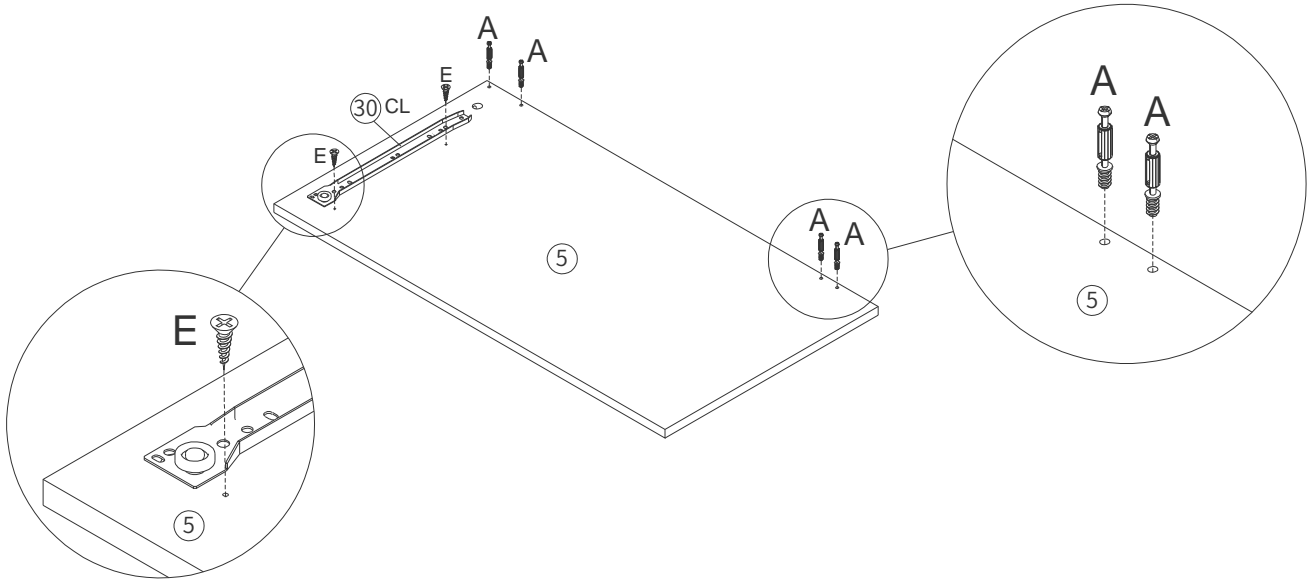
This Cam Lock Fastening System will be used throughout the assembly process



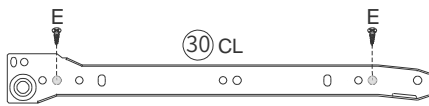
1



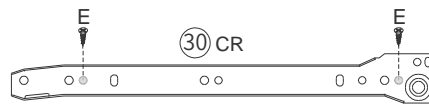
<b>A</b> M5X42	<b>E</b> M3.5X14
4 PCS	2 PCS



2



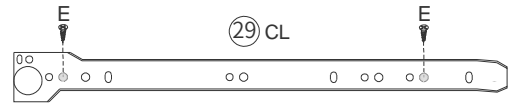
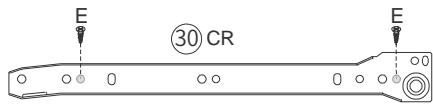
OR



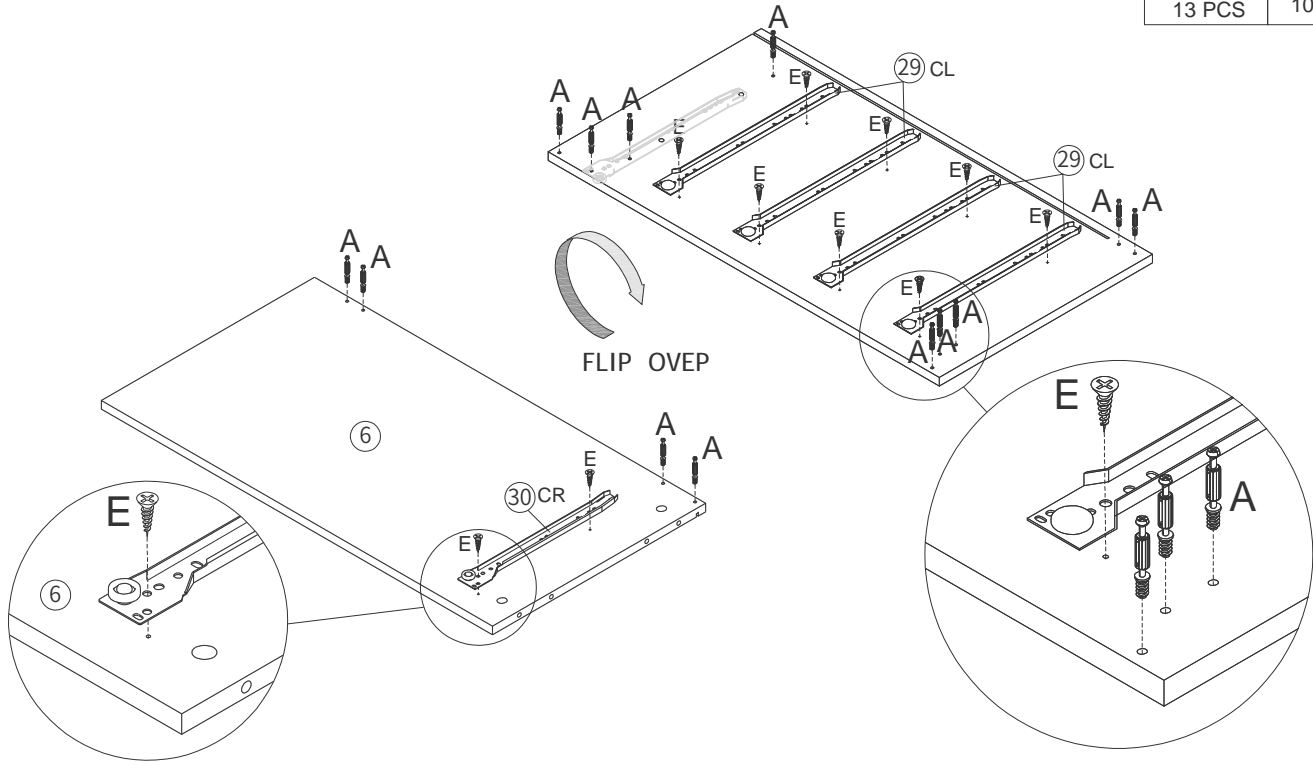
<b>E</b> M3.5X14
4 PCS



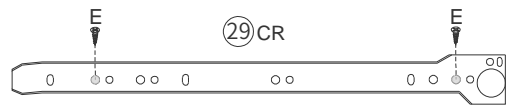
3



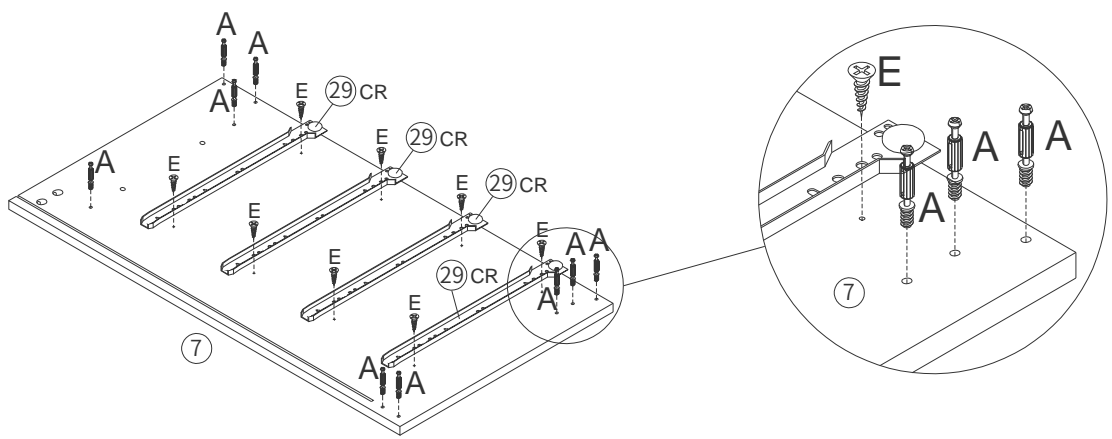
A M5X42	E M3.5X14
13 PCS	10 PCS



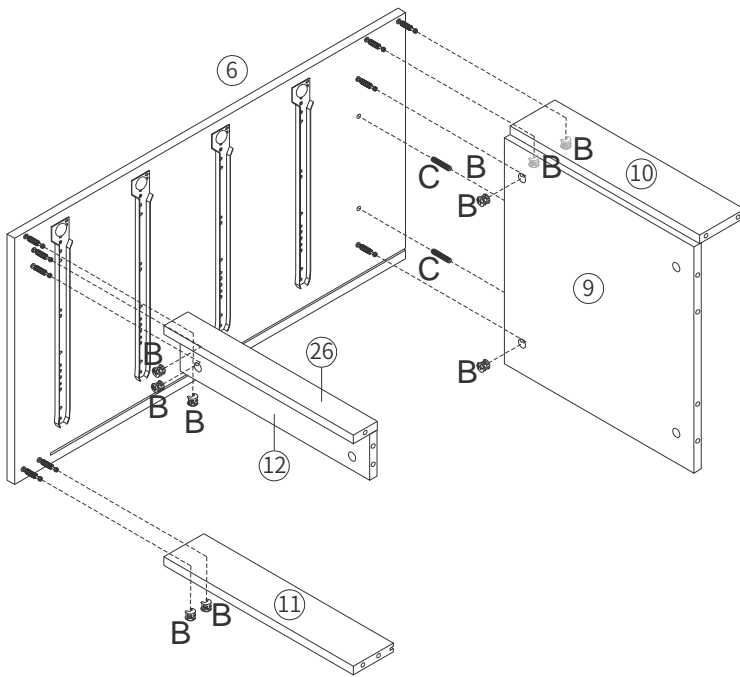
4


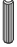


A M5X42	E M3.5X14
9 PCS	8 PCS

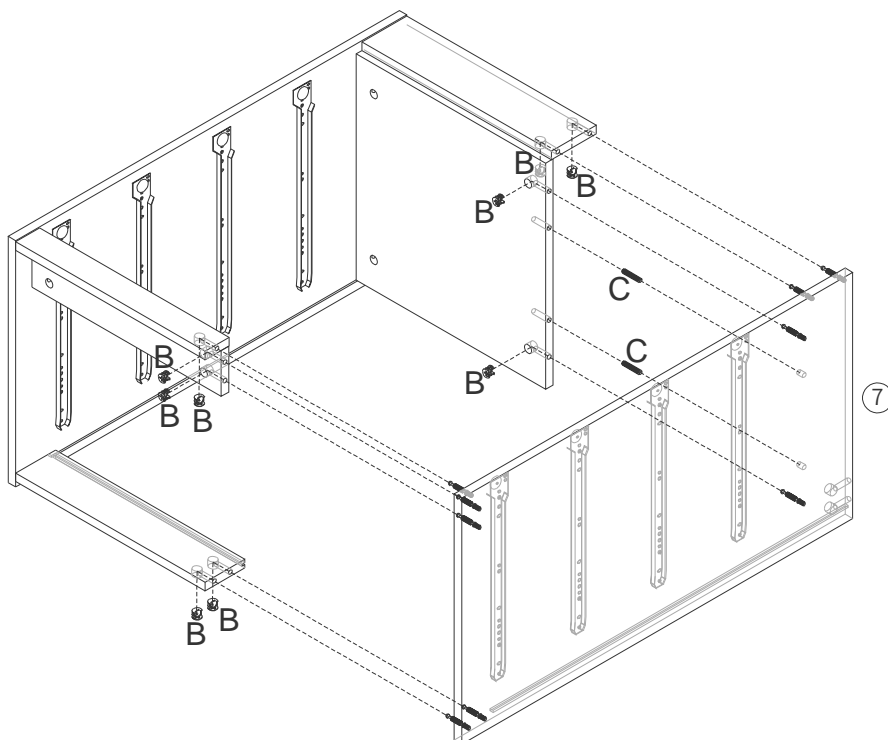



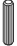
5



<b>B</b> Ø15X12	<b>C</b> Ø8X40
	
9 PCS	2 PCS

6

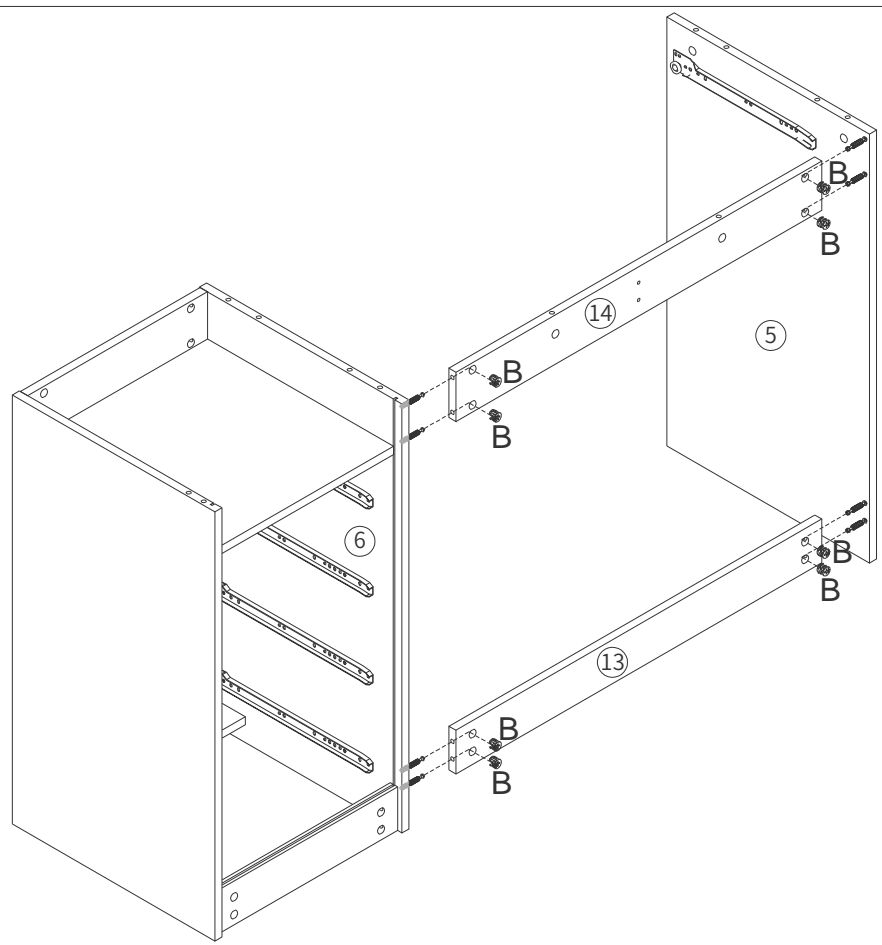


<b>B</b> Ø15X12	<b>C</b> Ø8X40
	
9 PCS	2 PCS



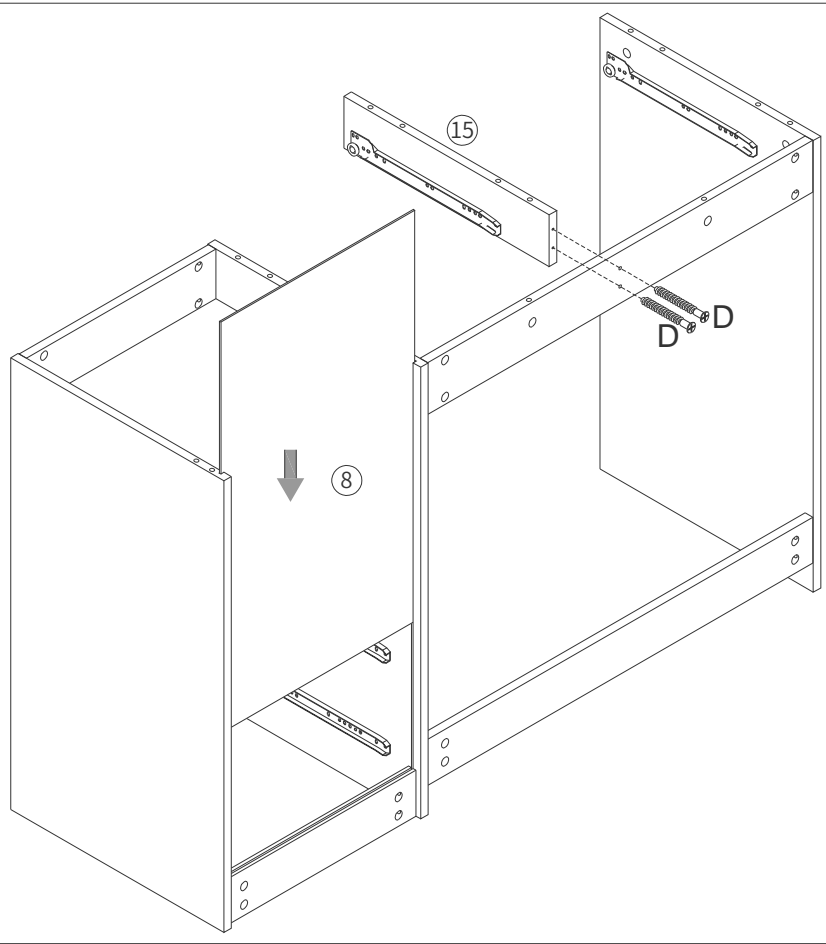



7



B Ø15X12  
  
8 PCS



8

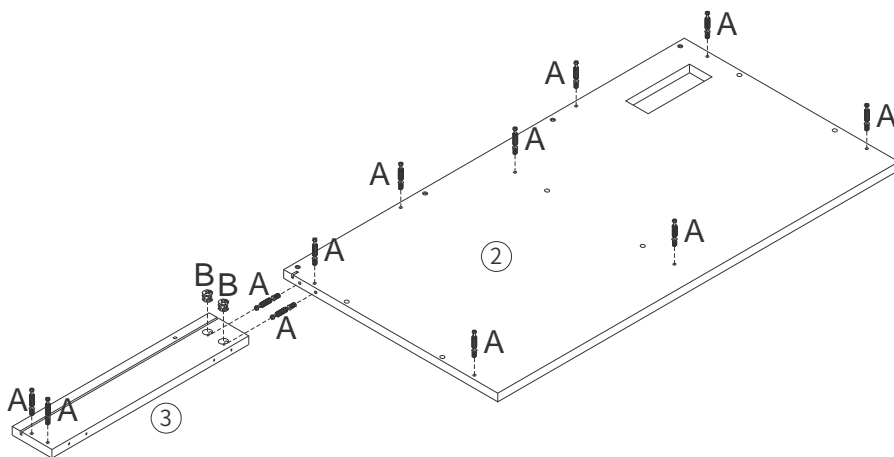


D M5X40  
  
2 PCS




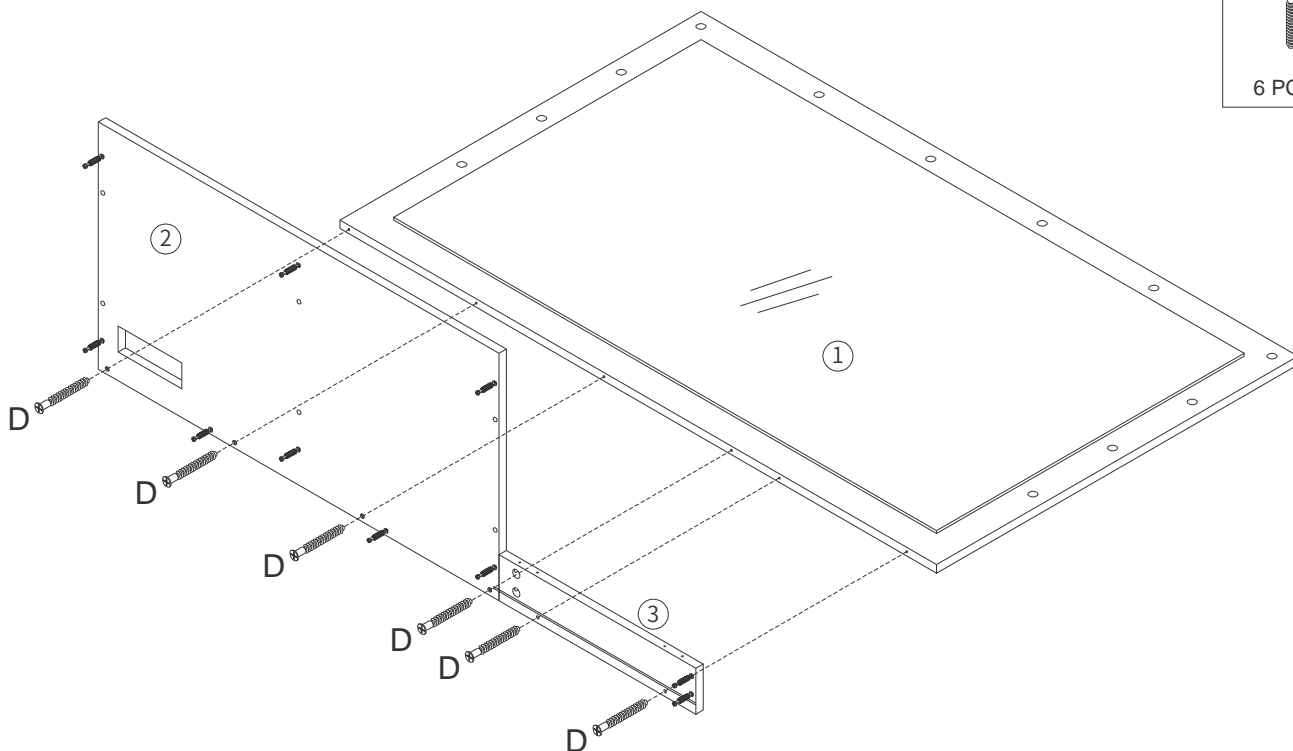
9

<b>A</b> M5X42	<b>B</b> Ø15X12
	
12 PCS	2 PCS


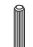


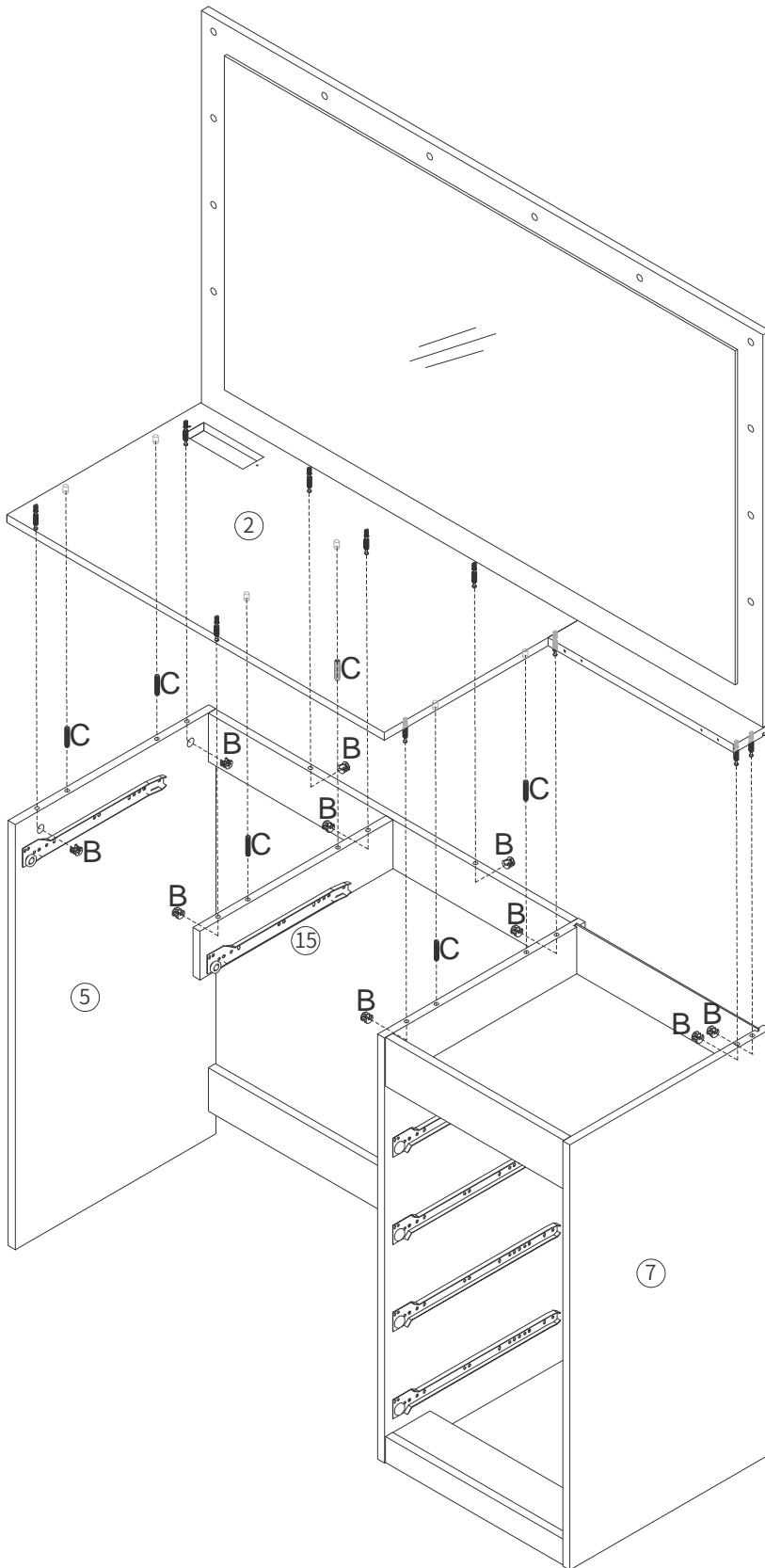
10

<b>D</b> M5X40

6 PCS

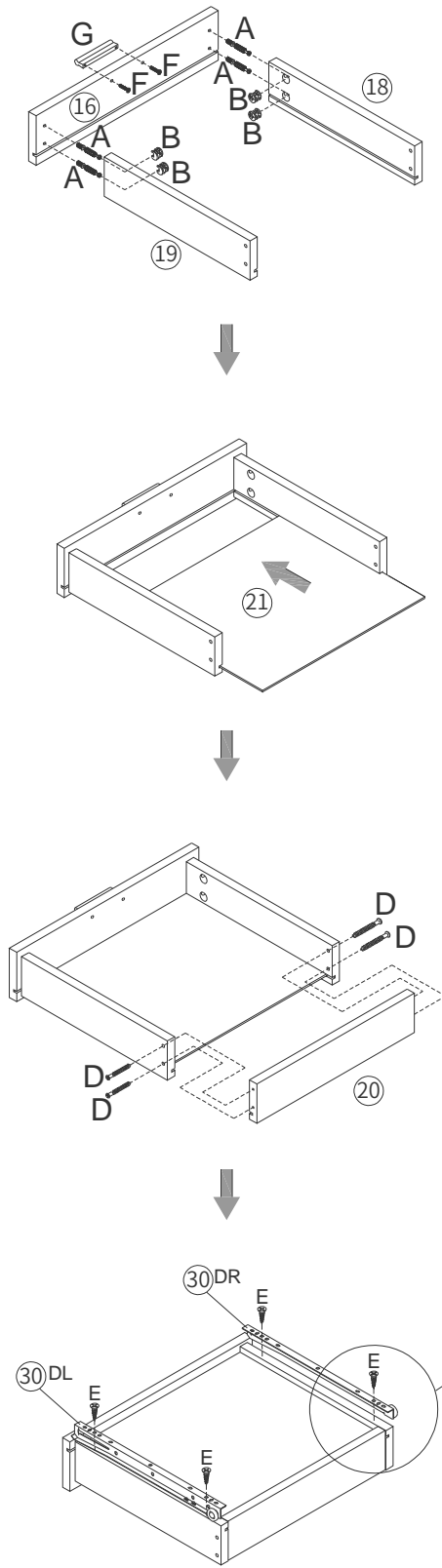








11

<b>B</b> Ø15X12	<b>C</b> Ø8X40
	
10 PCS	6 PCS



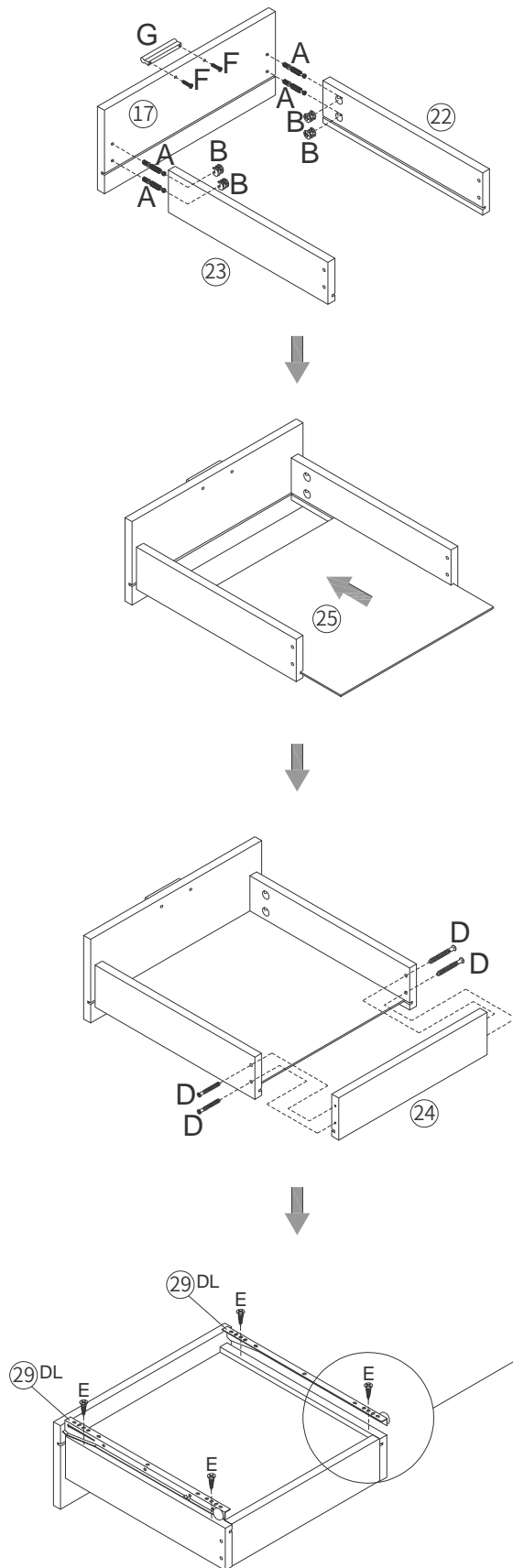
12









<b>A</b> M5X42	<b>B</b> Ø15X12
	
8 PCS	8 PCS
<b>D</b> M5X40	<b>E</b> M3.5X14
	
8 PCS	8 PCS
<b>F</b> M4X18	<b>G</b>
	
4 PCS	2 PCS

X 2

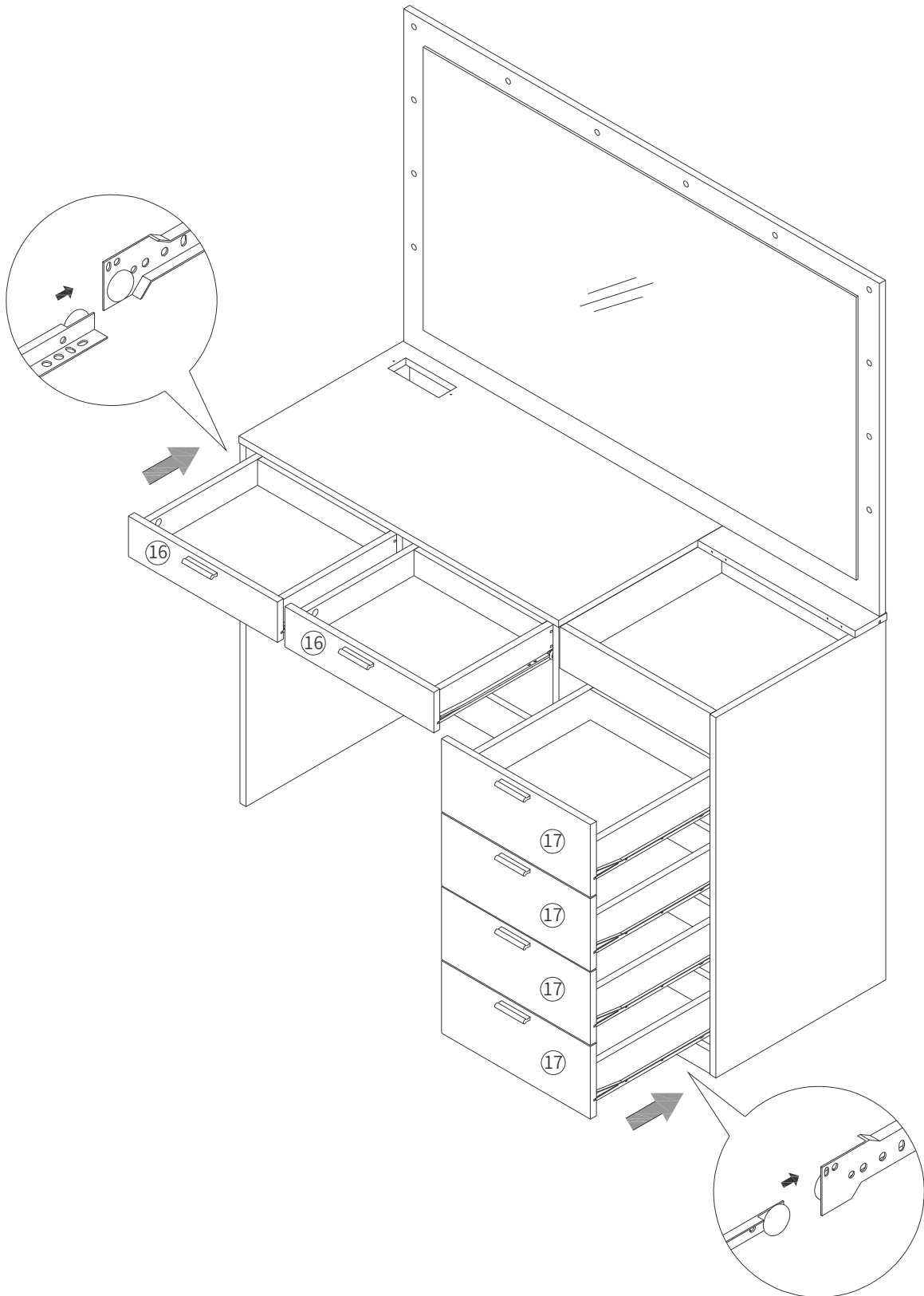
13



<b>A</b> M5X42  16 PCS	<b>B</b> Ø15X12  16 PCS
<b>D</b> M5X40  16 PCS	<b>E</b> M3.5X14  16 PCS
<b>F</b> M4X18  8 PCS	<b>G</b>  4 PCS

X 4

14



15

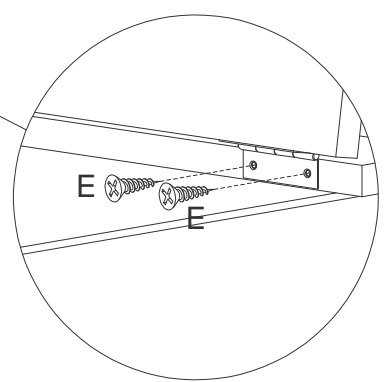
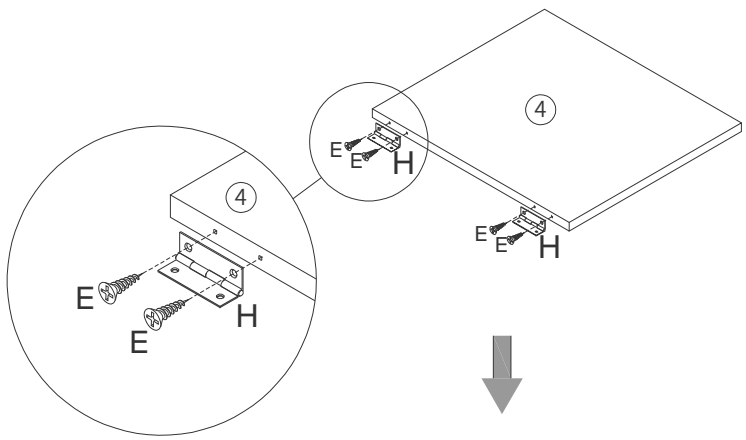
E M3.5X14 H 2"



8 PCS



2 PCS

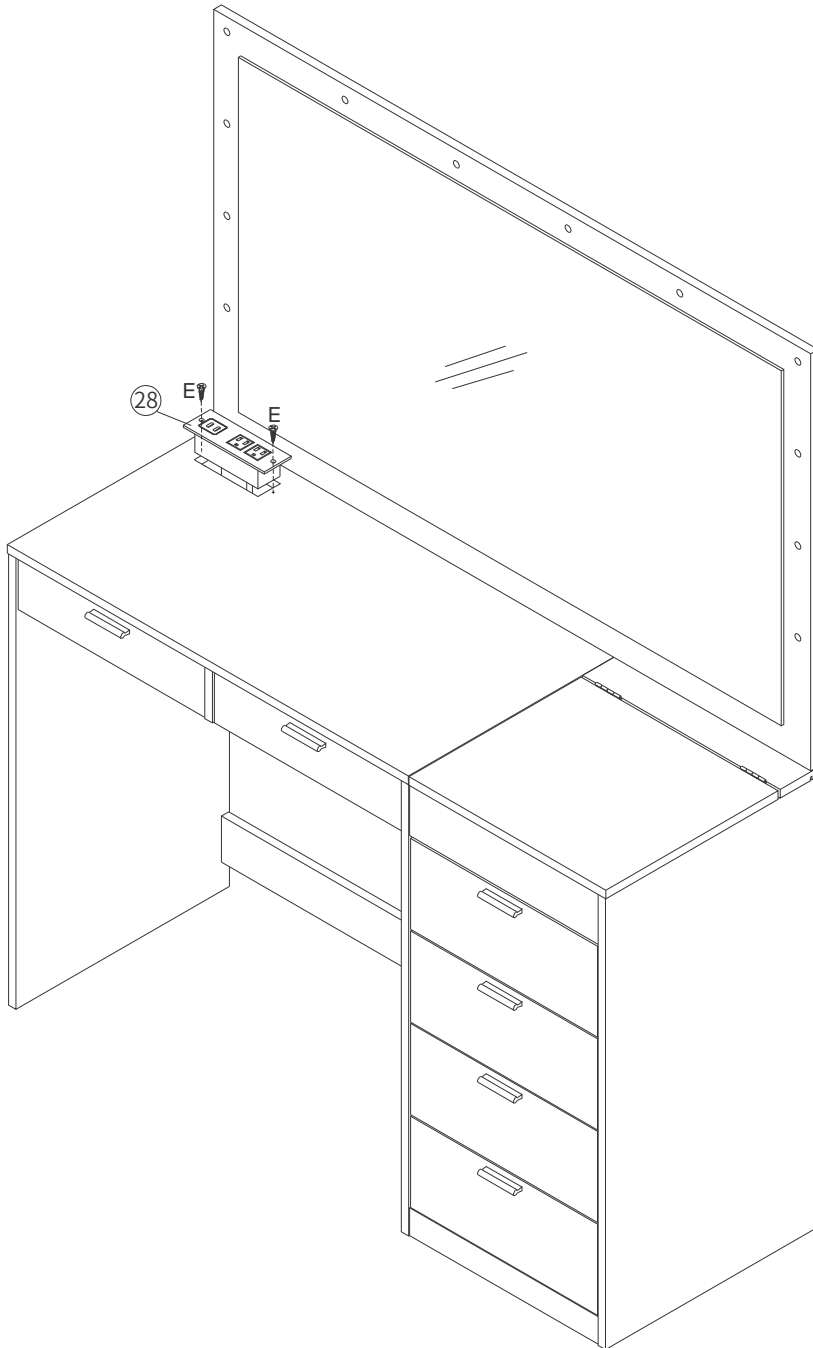


16

E M3.5X14

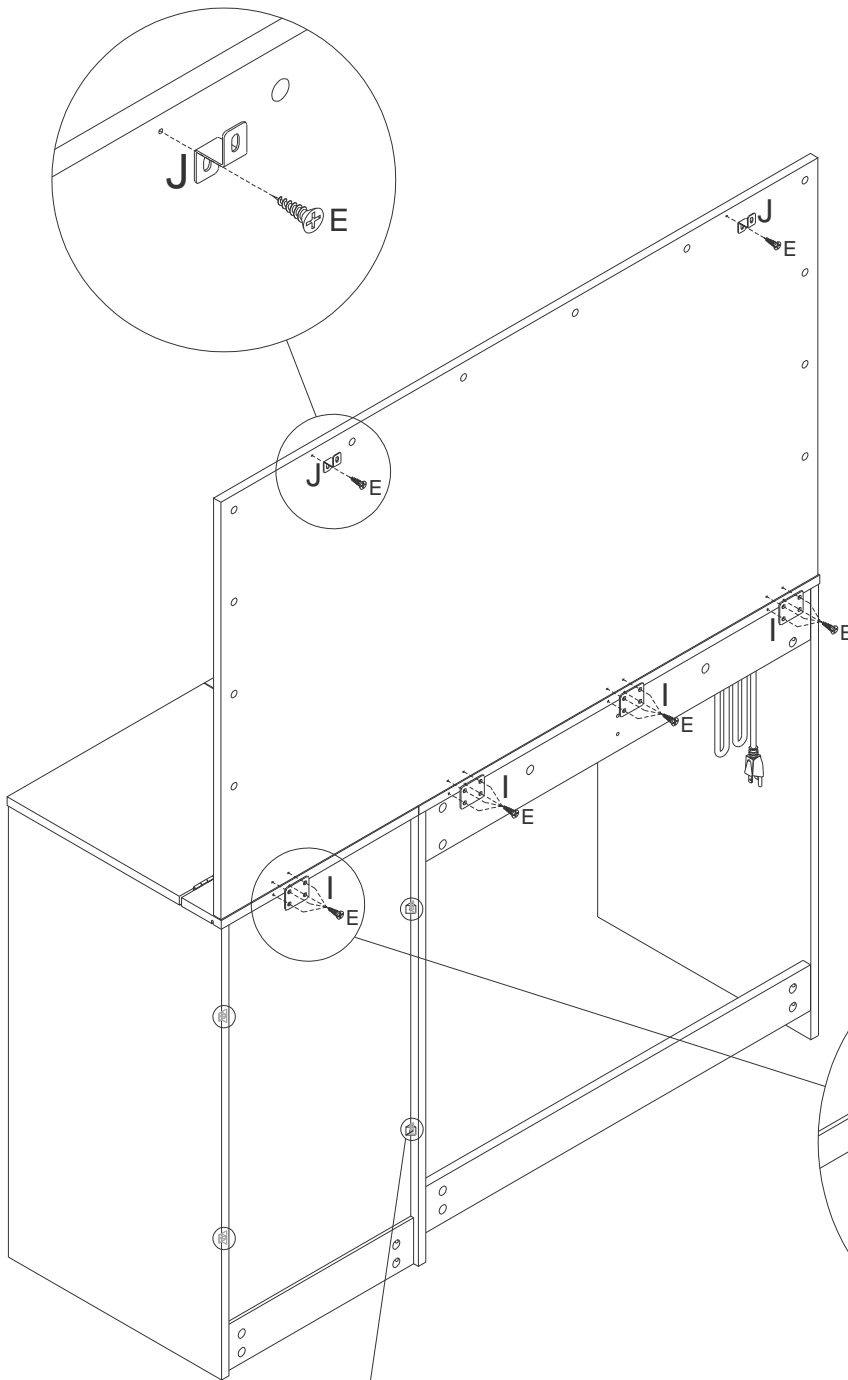


2 PCS





17



E M3.5X14 | 47X38X2.0



22 PCS

4 PCS

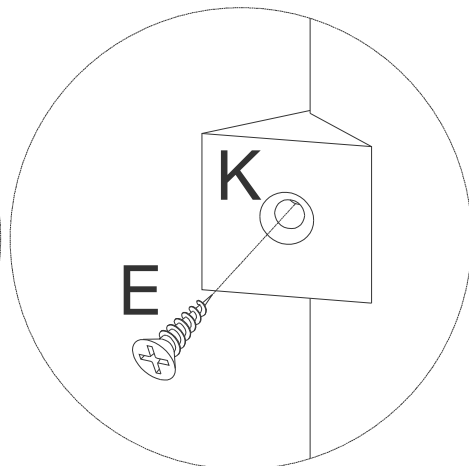
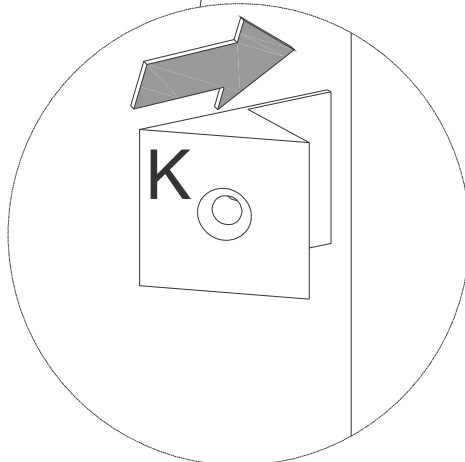
J

K

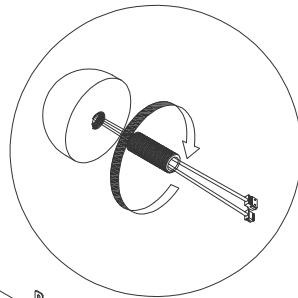
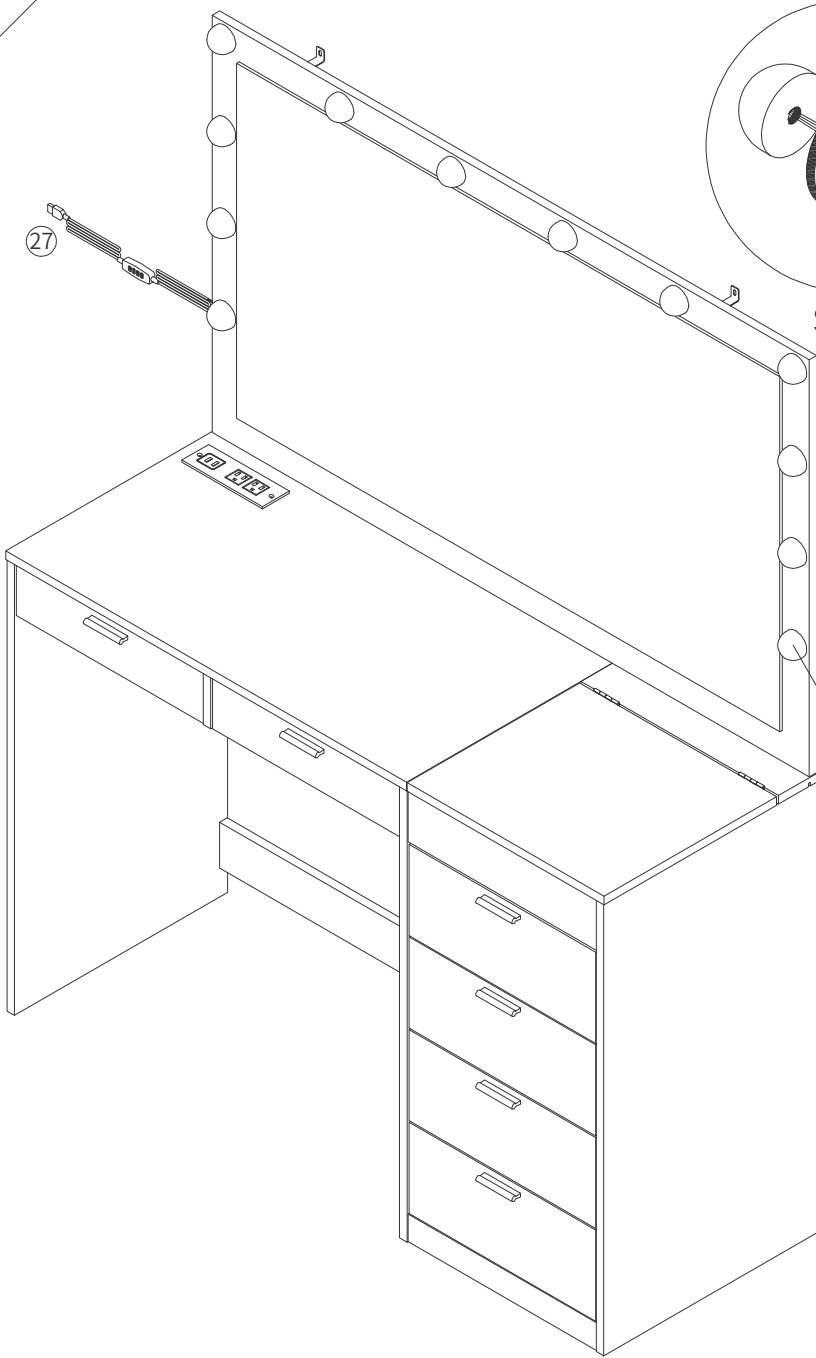


2 PCS

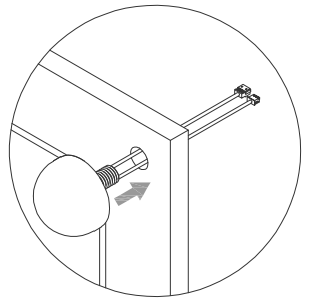
4 PCS



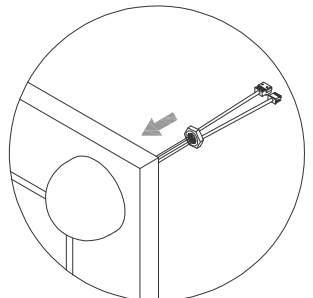
18



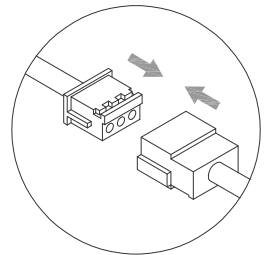
Step 1



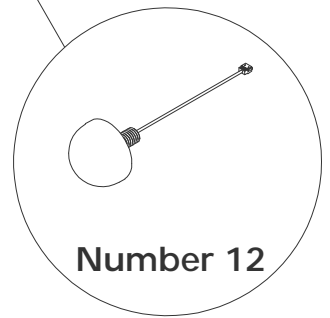
Step 2



Step 3

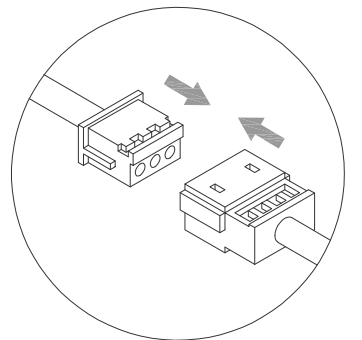
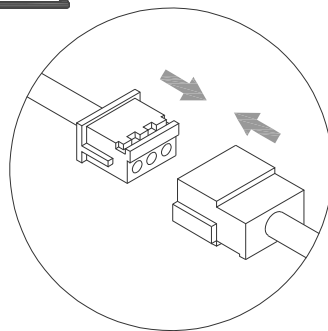
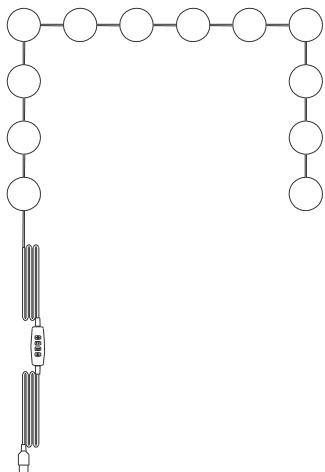


Step 4



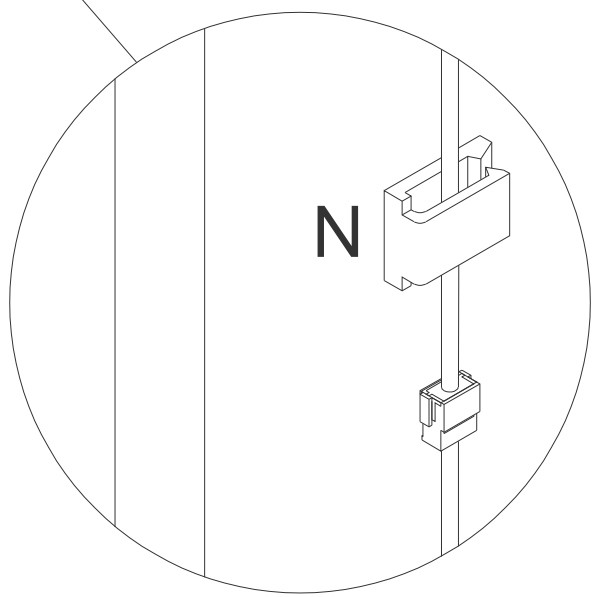
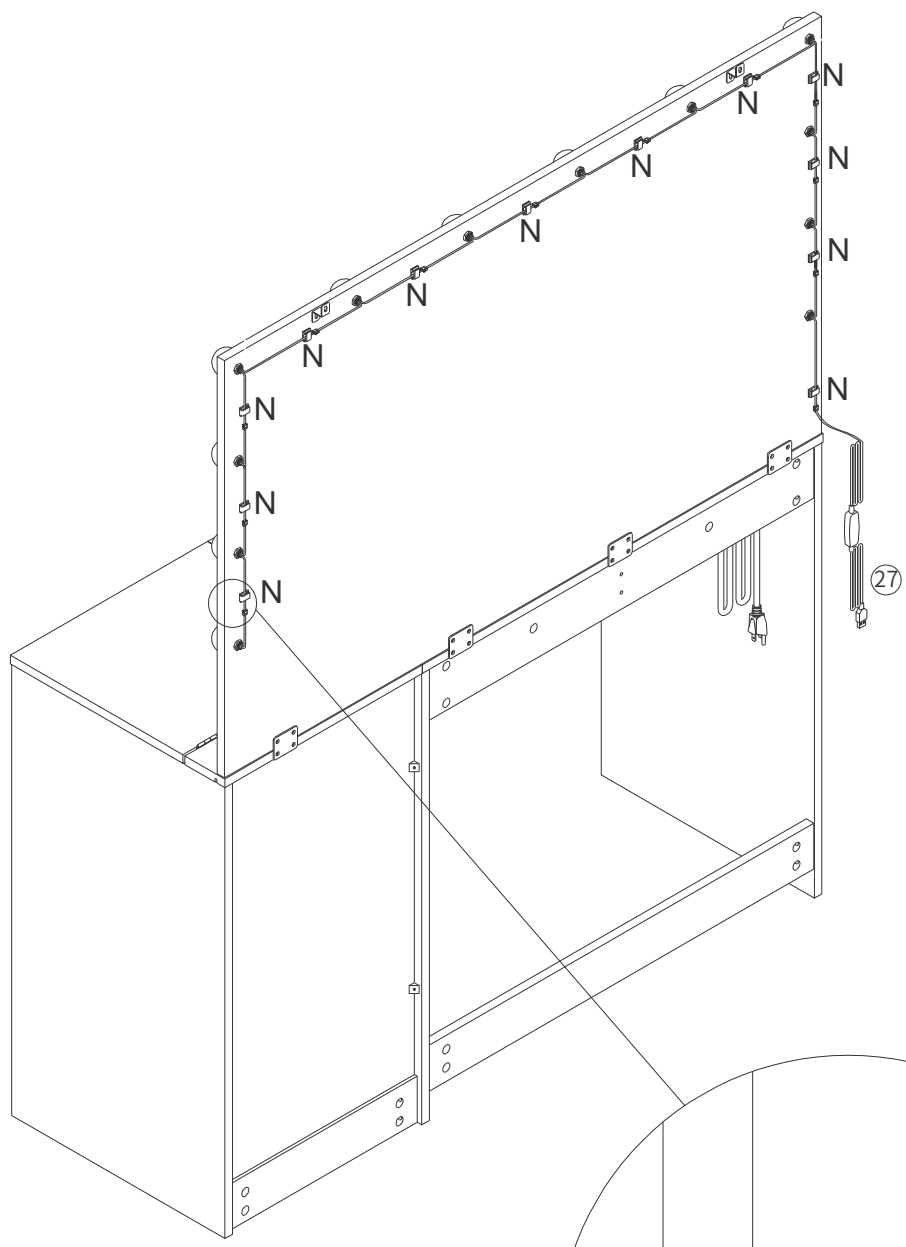
Number 12

27



19

N  
12 PCS





**Attention: For safety and stability, we suggest you have to secure the anti-tip accessories to the wall to prevent tipping, injury, and property damage.**

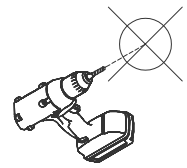
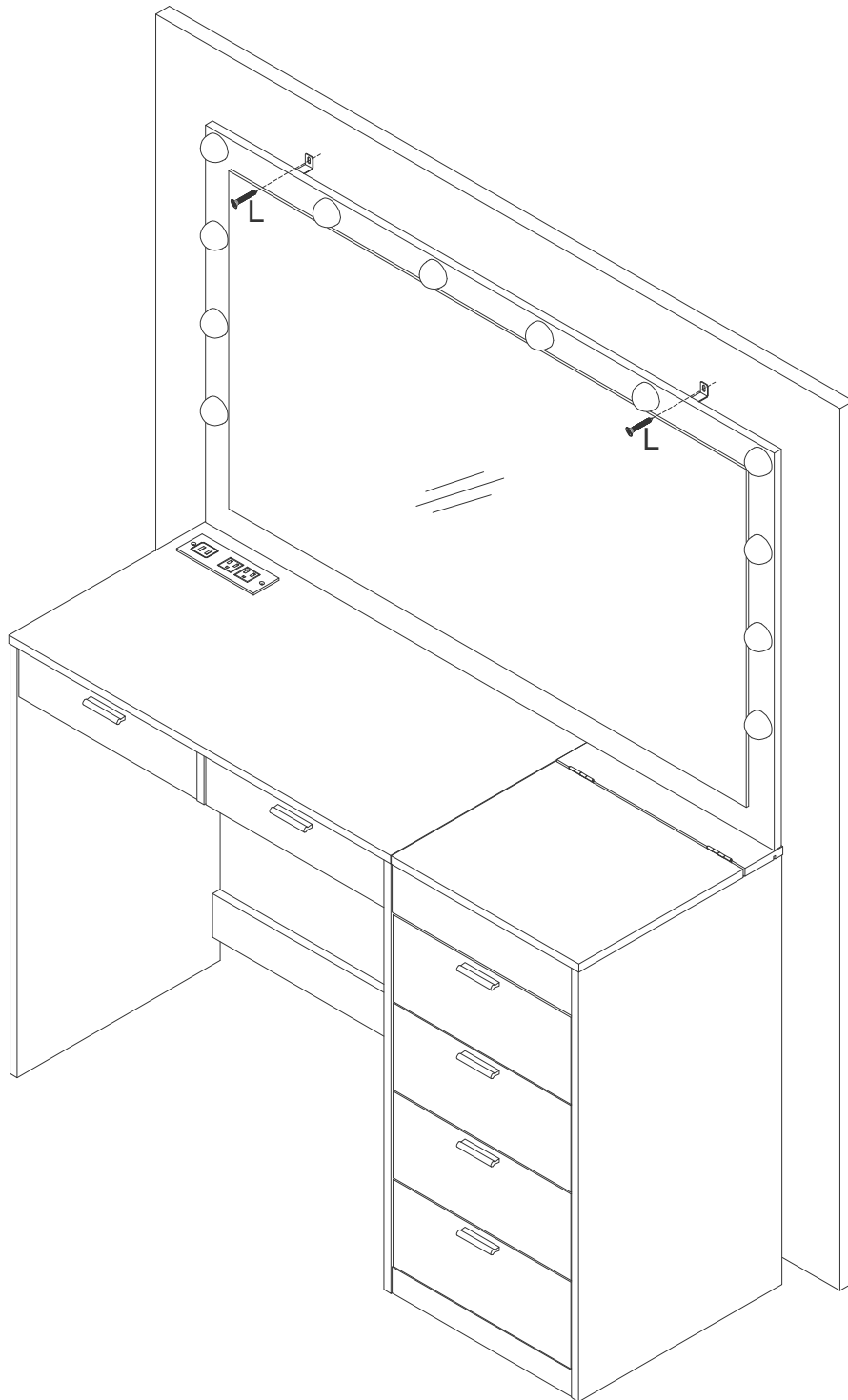
L M3.5X25 M



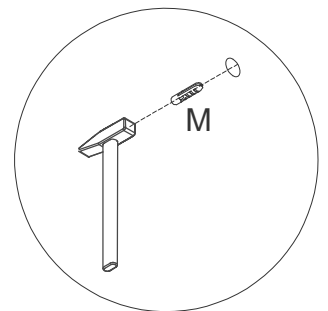
2 PCS



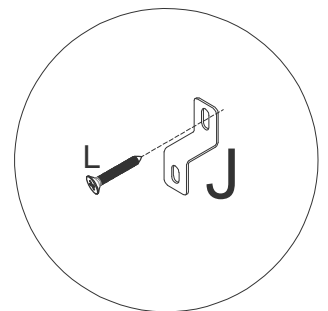
2 PCS



Step 1



Step 2



Step 3